

# Honeycomb Openview Multi-Blind Installations

## Head Of One Blind One End, Head Of Other Blind Other End

### **This is a 2-person job.**

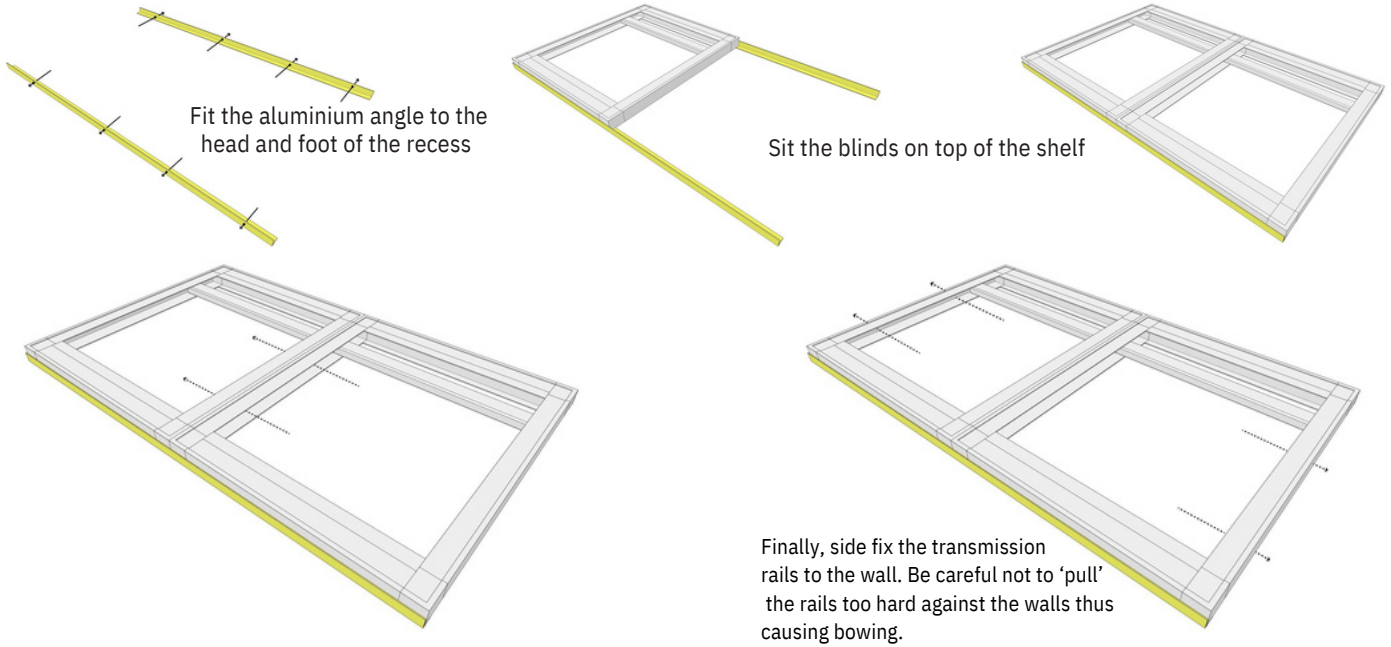
- \* Mark a level line position around the recess.
- \* Use some very thin nails, and insert nails around the recess on the level line. These nails will act as a shelf.
- \* Build the blinds at floor level and test.
- \* Sit the blinds on top of the nails.
- \* Drill a hole of a suitable size to allow the joining bolts to go through to join the foot of each blind together
- \* Nut and Bolts the two blinds together (these will be provided)
- \* Start to make the side fixings through the side channels. It is advisable to mark the positions first, then gently lift the side channels and drill/plug each holes ready to take a screw.
- \* Go around the blind and screw each screw whilst removing the nails at the same time as you move around.
- \* If the recess walls are not perfectly straight, pack behind the side channels before tightening the screws fully.
- \* Test the blinds
- \* Caulk fill the gaps between the blind and recess, filling the holes left from the small nails at the same time.

# Honeycomb Openview Multi-Blind Installations

## Side by Side

A multi-blind installation should be done using a shelf on which you should sit the blinds. The shelf can be any size you like. **A 25mm x 25mm aluminium angle can supplied, and can be specied at the point of order.** We will also supply the required self-drilling screws to join the side rails together.

### 2 BLIND INSTALLATION

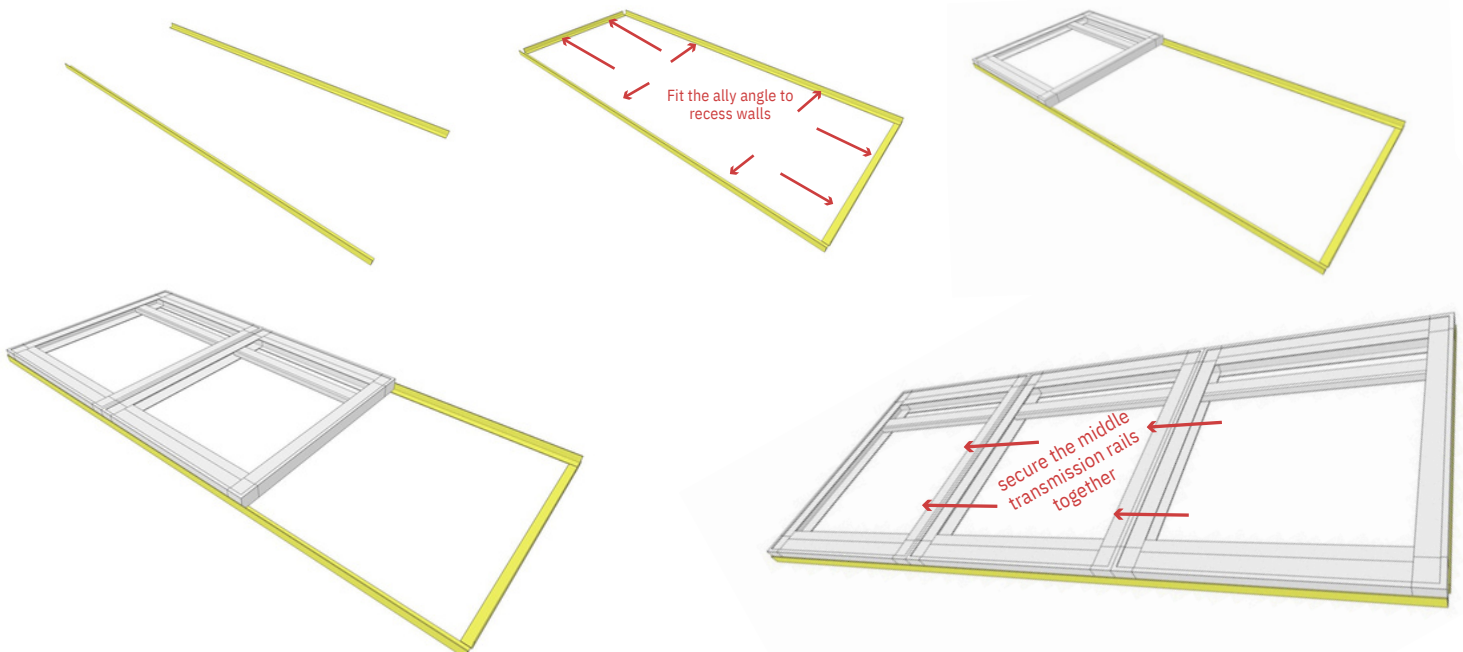


When using a shelf, you should make sure that you have enough space above the installation to be able to lift the blinds in and over the lip of the shelf. If not, checkout this tip.

### 3 BLIND INSTALLATION

For a 3 blind installation, you should follow exactly the same process as for the 2 blind installation, but, you will need to t ally angle to the drop sides of the recess as well. This is to ensure that you are not relying on the side xing through the transmission rails, but instead sitting everything on the shelf. In this situation, there is no need to secure the transmission rails to the sides of the recess

- Fit one shelf first
- Stack both blinds on top of each other
- Fix the opposite shelf where you can
- Slide the blinds across to the other side
- Complete the installation of the shelf
- Un-stack the blinds and complete the job



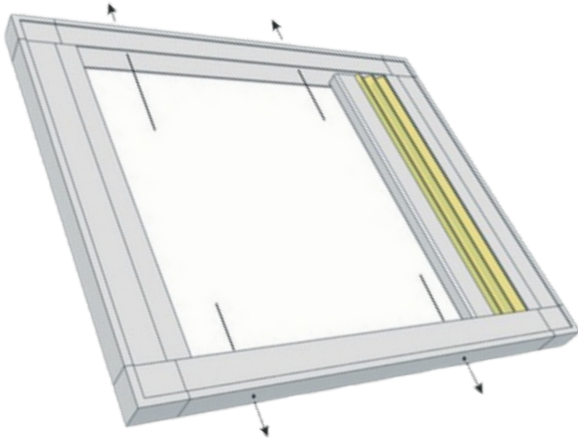
## Hassle-Free Installation: Pre-Drilled Holes for Convenient Mounting

**Positioning Your Blind:** Hold the blind in the desired place in the recess.

**Marking Drill Points:** While holding the blind steady, use a pencil to mark the wall through the pre-drilled holes in the frame. This will indicate the locations for drilling.

**Drilling:** Remove the blind and drill at the marked spots on your wall. Insert the appropriate rawlplugs into these holes.

**Securing the Blind:** Align the blind with the drilled holes and fix it securely in place.



Your blind will either have 4 or 6 pre-drilled holes in the side channels.

These holes are used to side fix the

The fixing does not have to be that tight, but it must be firm since you will be in place. See fig. 2

After you've fitted blind into position, you may want to fill any gaps around the frame with caulk or silicone. Depending on which power option you've chosen you'll need to either connect the blind to 240v, or fit the solar panel and connect it to the blind.

If fitting a solar panel, simply position it somewhere where it will catch the light. Once the battery is fully charged, you can expect power to last up to four months. The solar panel simply needs to trickle charge the battery over time.

### **Tips for installing side rails joined with a jointer**

When installing a blind with a jointer. Take care to ensure that the side rail holes are lined up horizontally with each other to the mm, otherwise the blind will jump across the joint.

### **Tips for 'one-man' installation**

It's totally possible to fit Honeycomb Openview Electric blind on your own. It is lightweight, and needs only a few fixings. Therefore, you just need to find a way to hold the blind up whilst you secure the it in place.

A simple hack is to mark your 'level line' in the recess, and then hammer some thin nails into the plasterboard along this line at one end of the recess. You will then simply offer the blind up into the recess and sit it on top of the nails, whilst you make some preliminary fixings into the side channels at the other end of the blind.