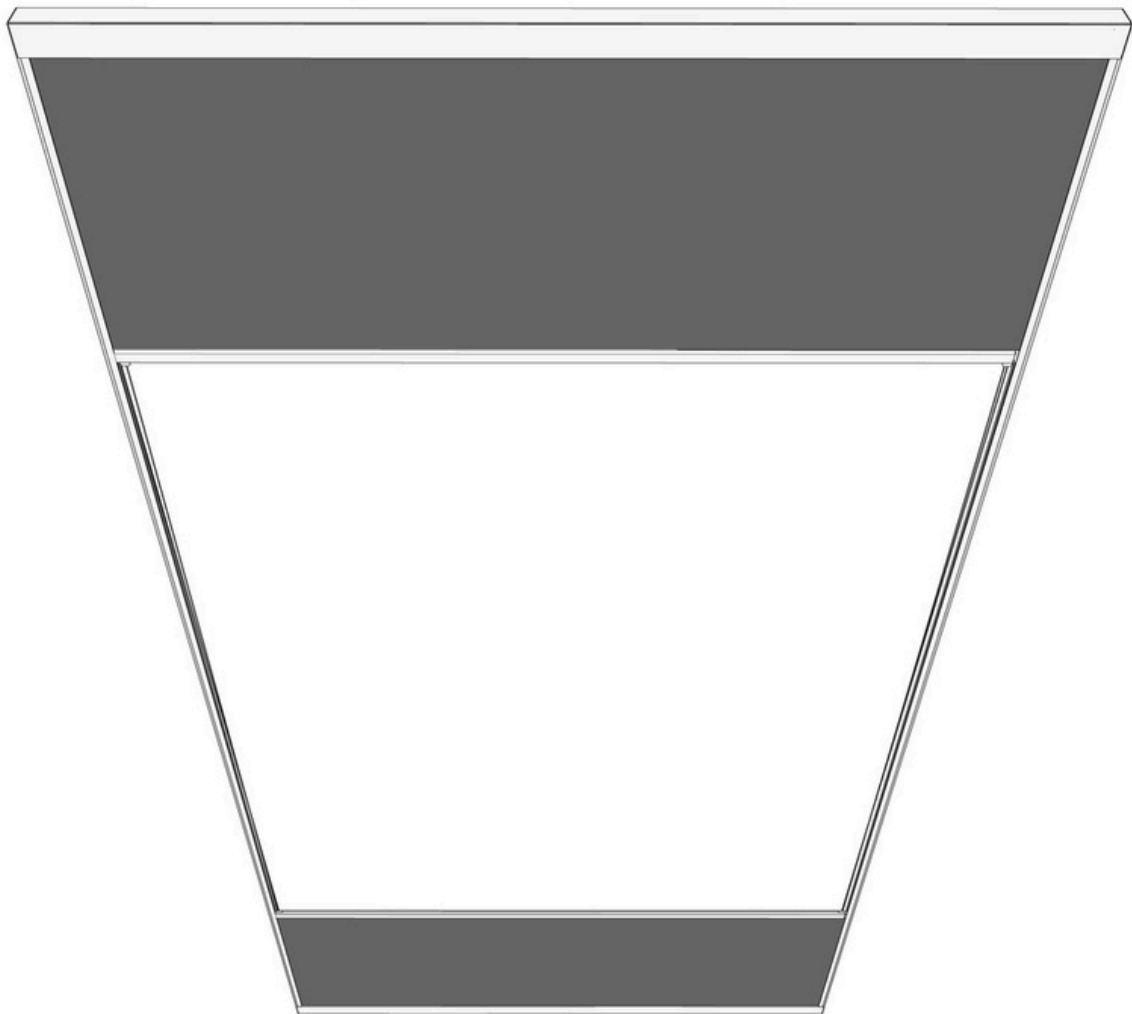


# Twin Zip LanternLITE™

ZIPPED-EDGE TWIN Roof LANTERN BLIND

## Fitting instructions



**PLEASE NOTE:** This installation requires at least 2 persons

# FEATURES

MAX SIZE  
18m<sup>2</sup>



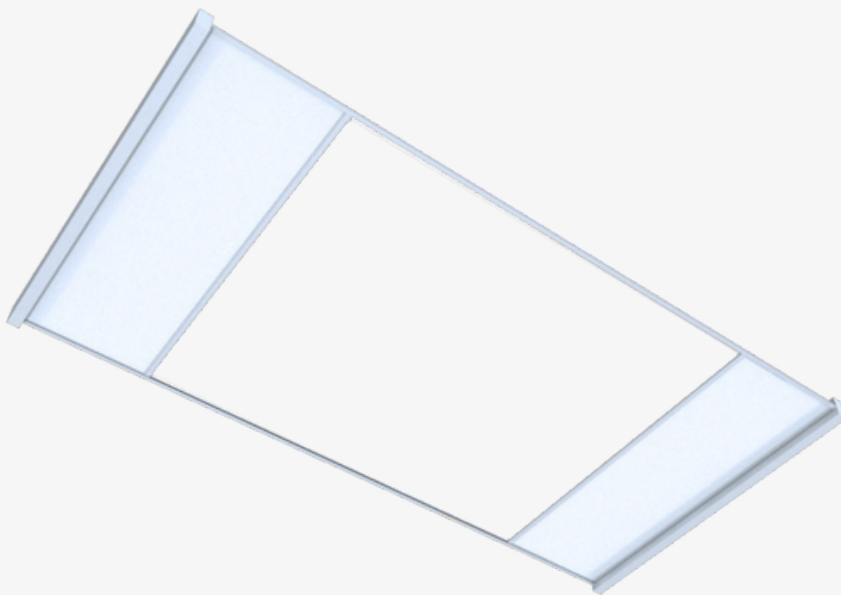
**FABRIC ZIP SIDE CHANNELS**  
 – Slim 35mm wide channel  
 – Zipped-edge fabric retention – Wider 56mm channel also available



**CONSTANT TENSION SPRING UNITS**  
 – 4kg pull force per unit  
 – Tension is constant throughout extensions and retraction  
 – Fabric under tension at any angle



**MEET IN THE MIDDLE**  
 – Blinds draw from each end to the centre  
 – Can be controlled together or separately  
 – Clear opening when retracted



## CONTROL OPTIONS

- Motorised only



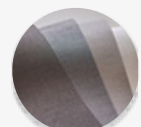
## MOTORISATION CONTROLS

- Hardwired Switch
- Radio remote control
- Digital and IP communication
- Integration and control systems



## FABRIC OPTIONS

- Dimout fabrics for light filtering and privacy
- Sunscreen fabrics for glare control with views out
- Blackout fabrics for room darkening

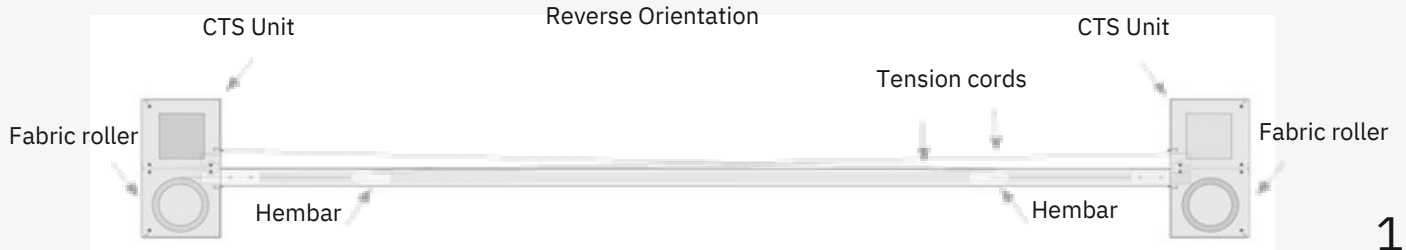


# HEADBOX ORIENTATION

## Standard Orientation- RECOMMENDED



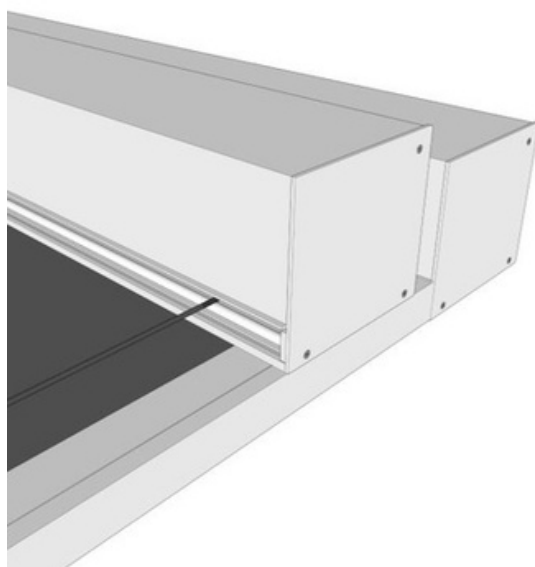
## Reverse Orientation



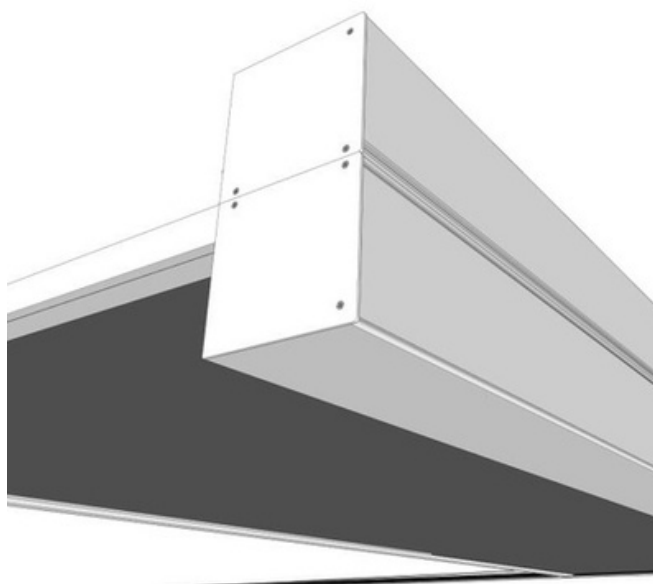
## FITTING OPTIONS NOTE

There are many ways you can fit a LanternLITE™ ZIP Twin Roller Blind. This manual specifically covers how to face fix on top of an angle inside a reveal, however the basic principles apply to any installation.

The two possible headbox configurations are shown below.



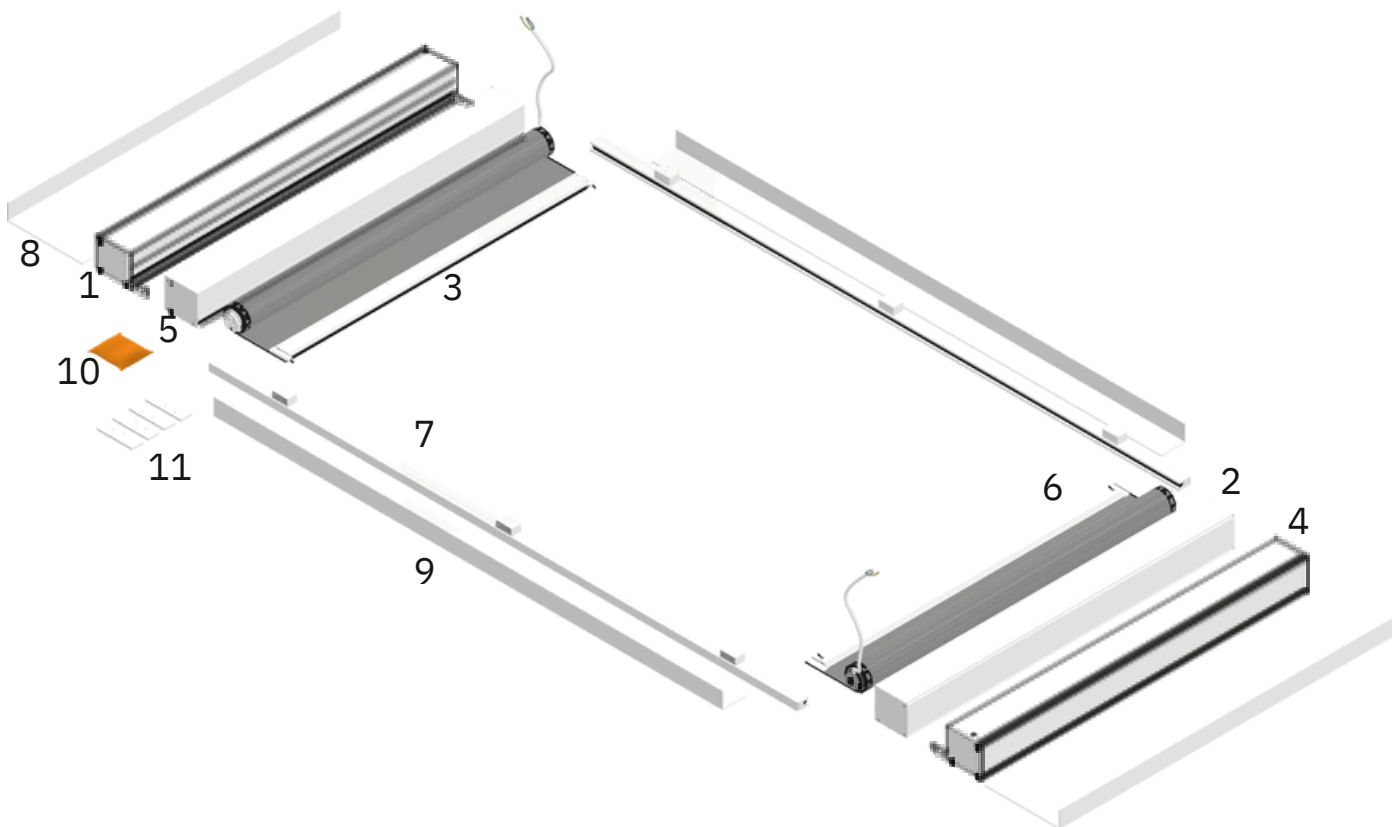
Headboxes staggered  
AS SHOWN IN THIS MANUAL



Headboxes stacked

# Thank for you choosing the Twin Zip LanternLITE™ BLIND

Please unpack the delivery and check you have:



1. Fabric cassette A
2. Tension cassette A
3. Roller blind A (may already be in installed fabric cassette)
4. Fabric cassette B
5. Tension cassette B
6. Roller blind B (may already be in installed fabric cassette)
7. 2 x side channels
8. 2 x 230mm shelving
9. 2 x 75mm shelving
10. 1x orange bag containing components & fixing screws
11. 4x spacer plates

## **IMPORTANT**

- Installation instructions must be followed otherwise the warranty will be void.
- It is the duty of the installer to pass on user and maintenance instructions to the end user. The installer must also demonstrate the blind is fully working in their handover to the end user.
- Motorised blinds must be connected to an RCD protected circuit. Always consult a qualified electrician regarding any electrical installation
- It is the installer's responsibility to ensure that suitable fixings are used to secure the blind in place
- It is the installer's responsibility to ensure safety is always maintained. A full risk assessment must be carried out and documented prior to installation.

## **BEFORE INSTALLATION**

- For best results, this product should be installed by a competent DIY'er who has referred to all measuring and fitting instructions available before proceeding.
- If you are unsure of any element of the install, please contact us before proceeding
- All components should be checked for damage. Damaged components should be reported to us before installation begins.

# TENSION UNIT WARNING - please read before proceeding

This blind contains constant tension spring (CTS) units.

Take great care when pulling the cord out of the tension unit! These are powerful units and can cause damage or injury if misused!

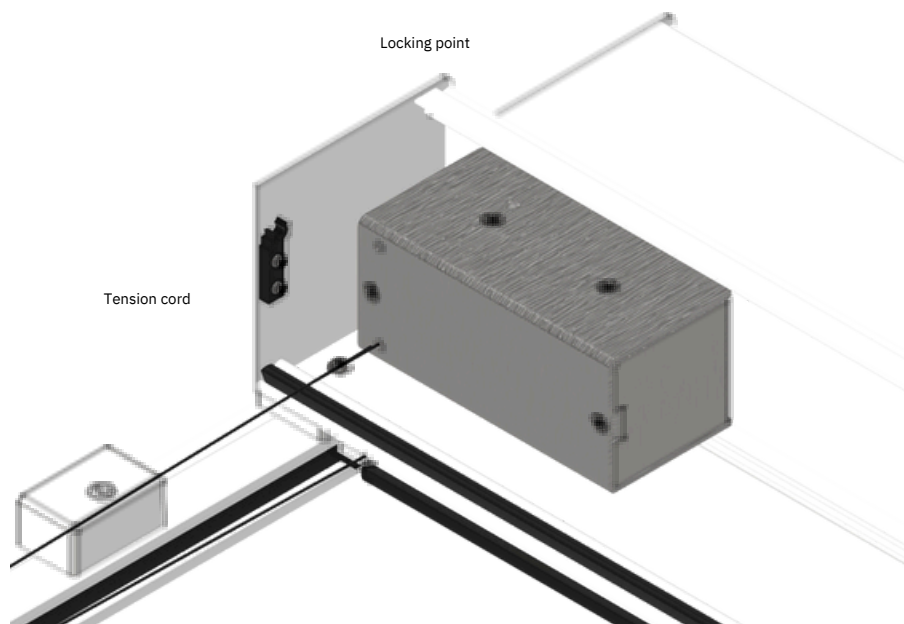
Under NO circumstances must the cord be released to wind back into the tension unit unchecked. If this happens it WILL result in damage to the CTS and MAY ALSO result in injury or damage to persons or property.

For your convenience and safety every tension unit is provided with a locking point, which is marked with an arrow. Pull the cord to rotate the spool inside the tension unit until you see the hole in the spool line up with the locking point. Insert a pin\* through the locking point into the spool to lock the tension unit.

\*for a locking pin you may use any metal shaft of 3-4mm diameter, e.g. small screwdriver or screw. Ensure this does not fall inside the tension unit.

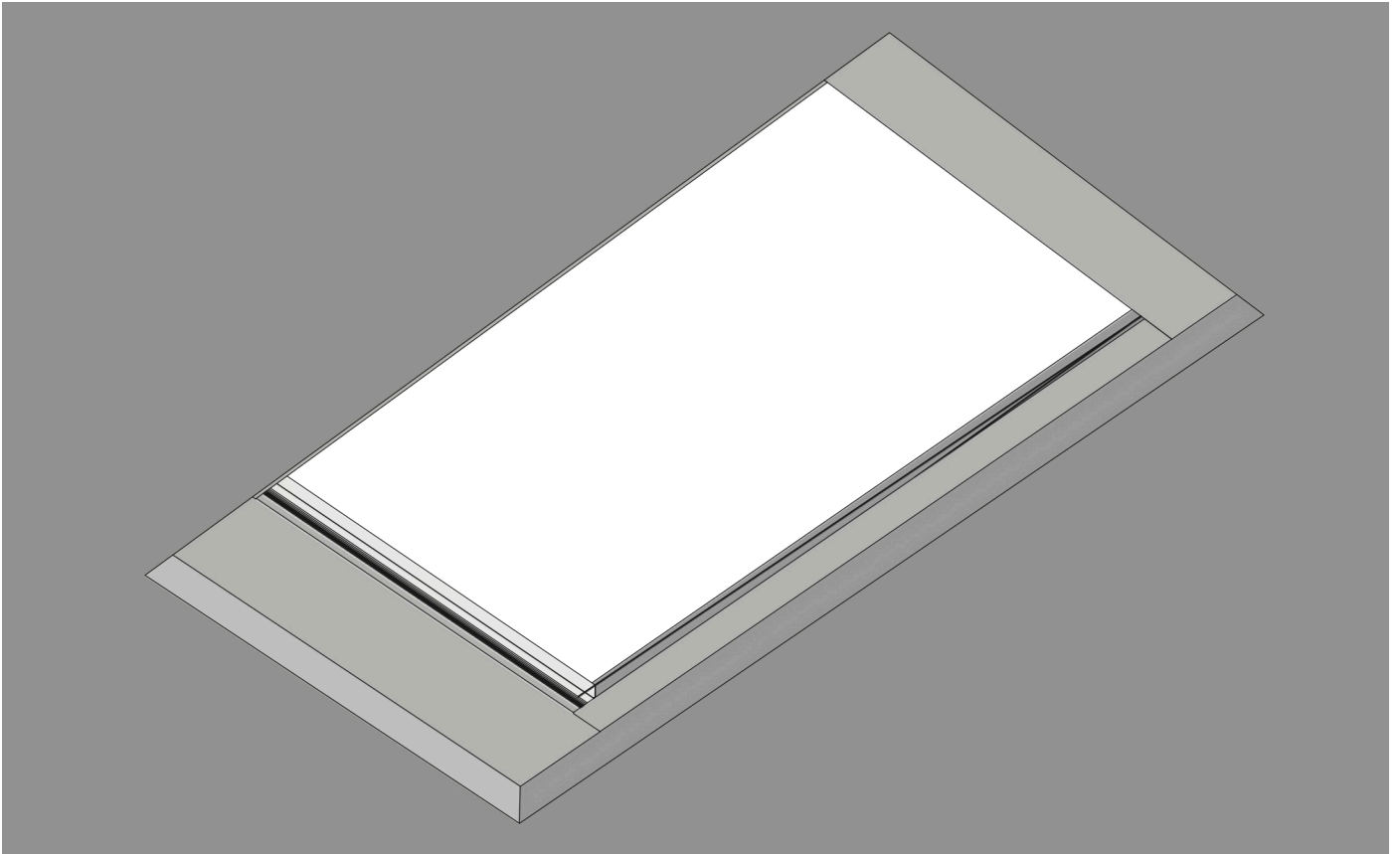
To remove the locking pin, pull the cord tight to take the tension off the pin, lift the pin out and allow any slack cord to SLOWLY feed back into the tension unit.

In some cases your blind will be delivered with the tension unit already locked with a screw inserted into the locking point. DO NOT USE A SCREWDRIVER TO REMOVE THIS SCREW, but remove it following the instructions above.



## FITTING OPTIONS NOTE

There are many ways to fit this blind but in this manual we cover horizontal installation of STANDARD ORIENTATION on top of L-shaped fixing shelf. This is the most common fixing scenario.



**RECOMMENDED METHOD:** Standard orientation with shelving, as covered in this manual.

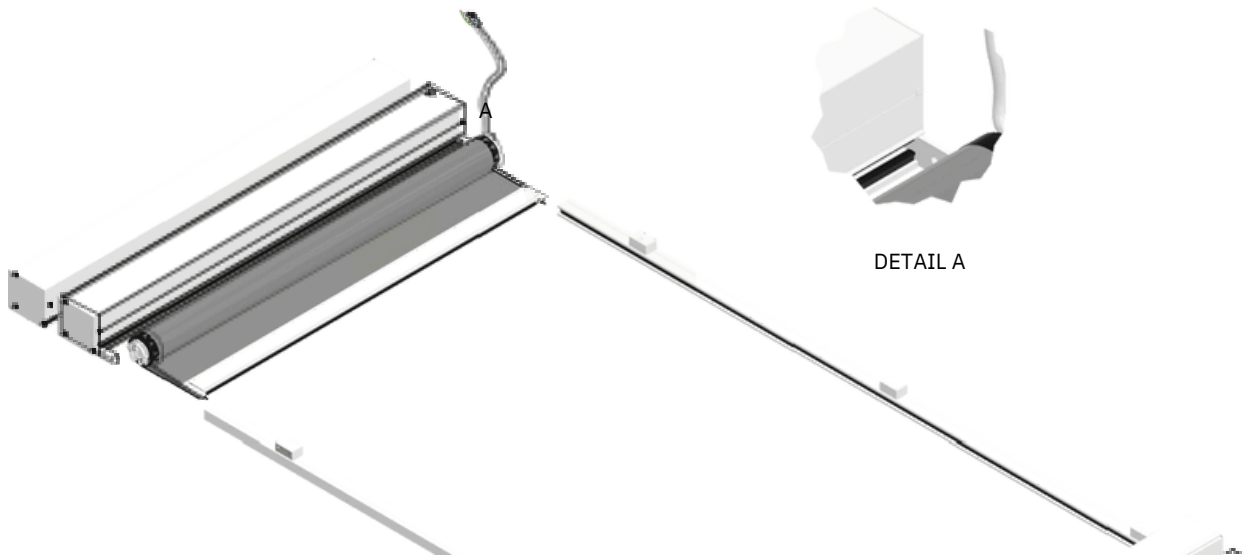
There are other possible fixing options, but they should only be considered by installers who have received appropriate training.

# STEP 1

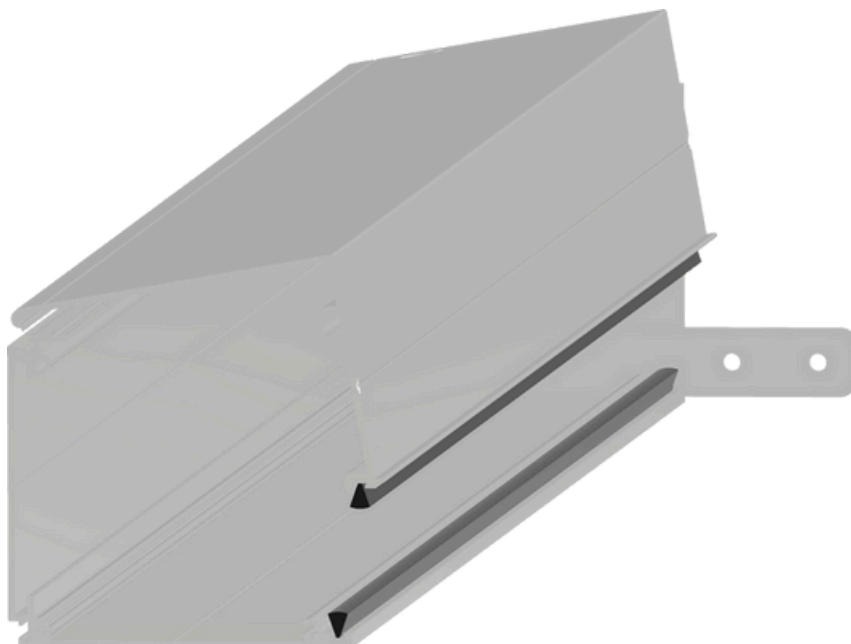
Preparing your blind.

**PLEASE NOTE:** if your blind is already in the headbox, go to step 3

Remove the screw from each end of the cassette (both ends of the blind). Keep these screws (x4) in a safe place until the end of the installation.



Remove both front covers by hinging them up by approx. 8mm and sliding back slightly to release them.

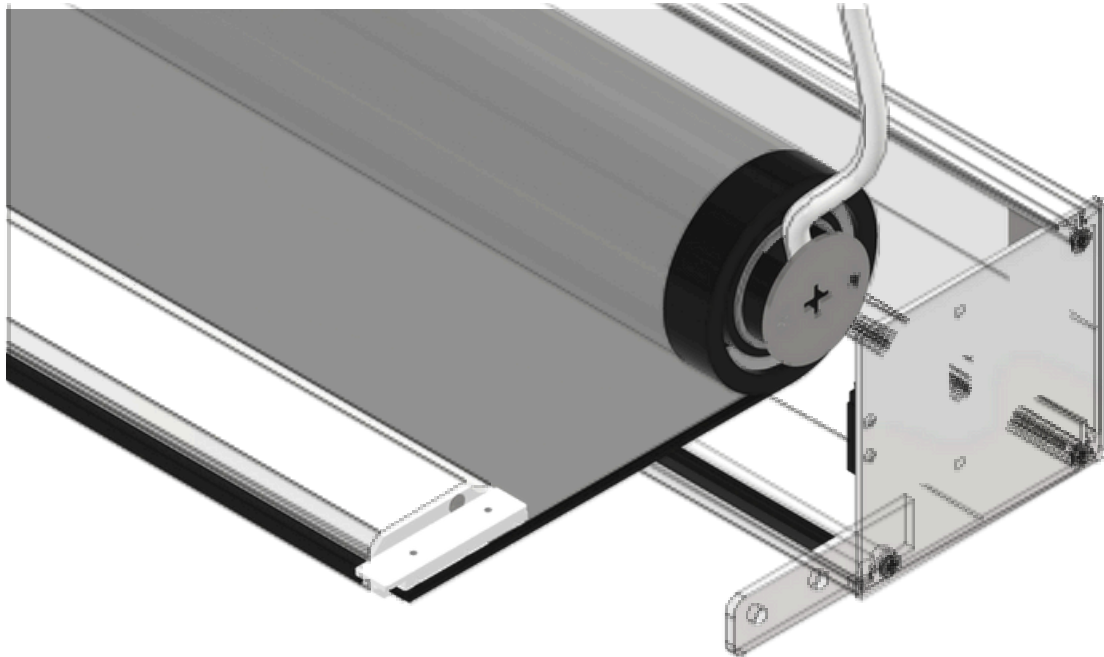




## STEP 2

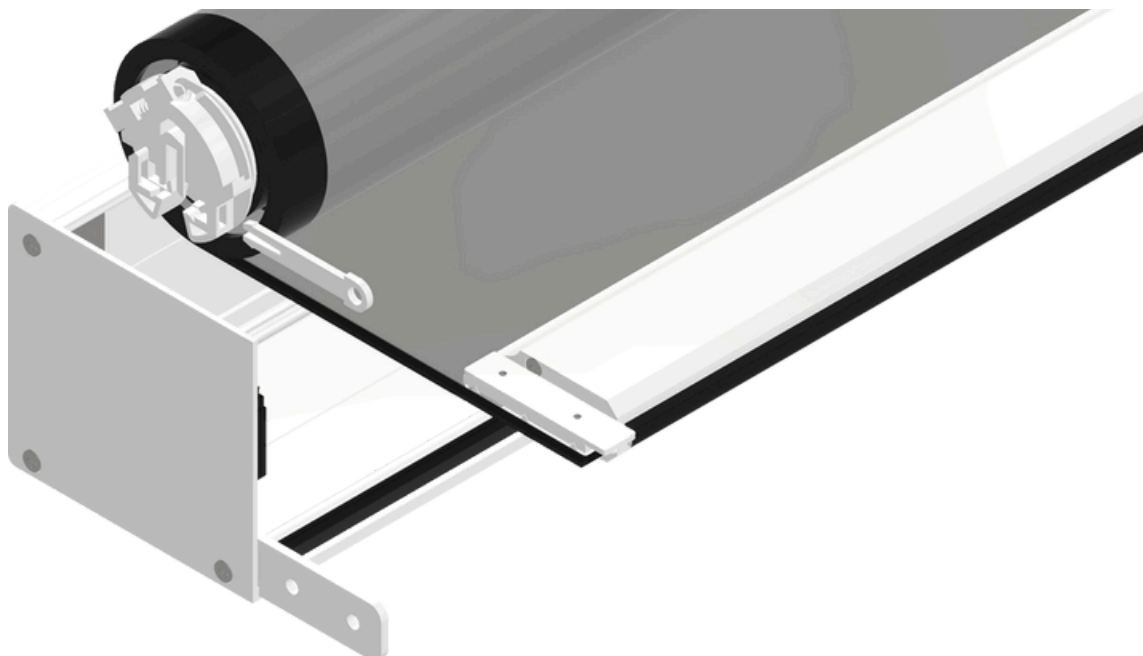
### Fit the roller blind into the headbox.

Unroll approximately 300mm of fabric, then fit the motor end of the roller blind into the bracket. Ensure the blind is rotated so that the motor cable exits in your desired location. The tongue of the bracket will locate into the plate on the end of the motor.



Remove the pin from the bearing and slide onto the tongue of the bracket, then replace the pin to prevent the bearing coming off the bracket. The blind should fit snugly between the brackets.

**WARNING:** If the blind is a loose fit between the brackets, do not continue with your installation, please contact your supplier.



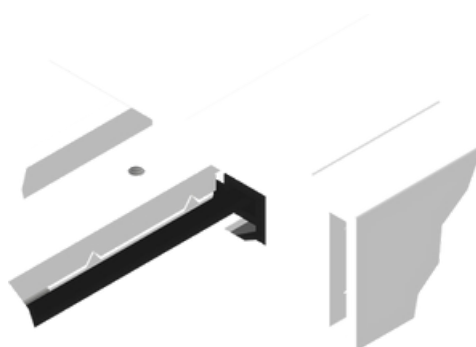
## STEP 3

### Assembling your blind.

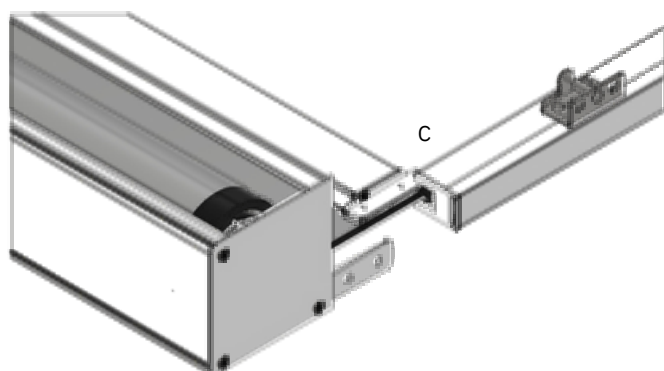
Ensure the plastic insert is sitting correctly in the side channel, like this:



Slide the zip into the side channel, ensuring the teeth of the zip engage with the plastic side channel insert. Then slide the side channel onto the legs of the cassette end plates. Repeat this with the tension cassette, forming a frame on the floor.



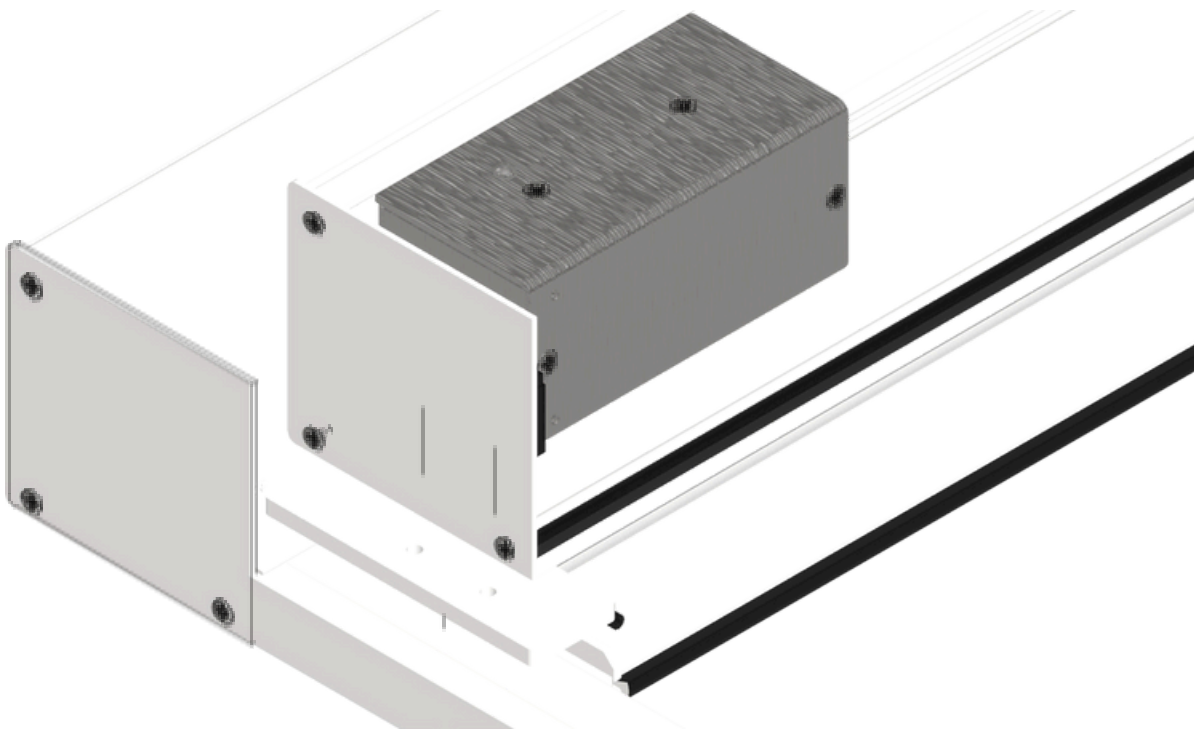
DETAIL C



## STEP 4

### Fitting the tension cassettes.

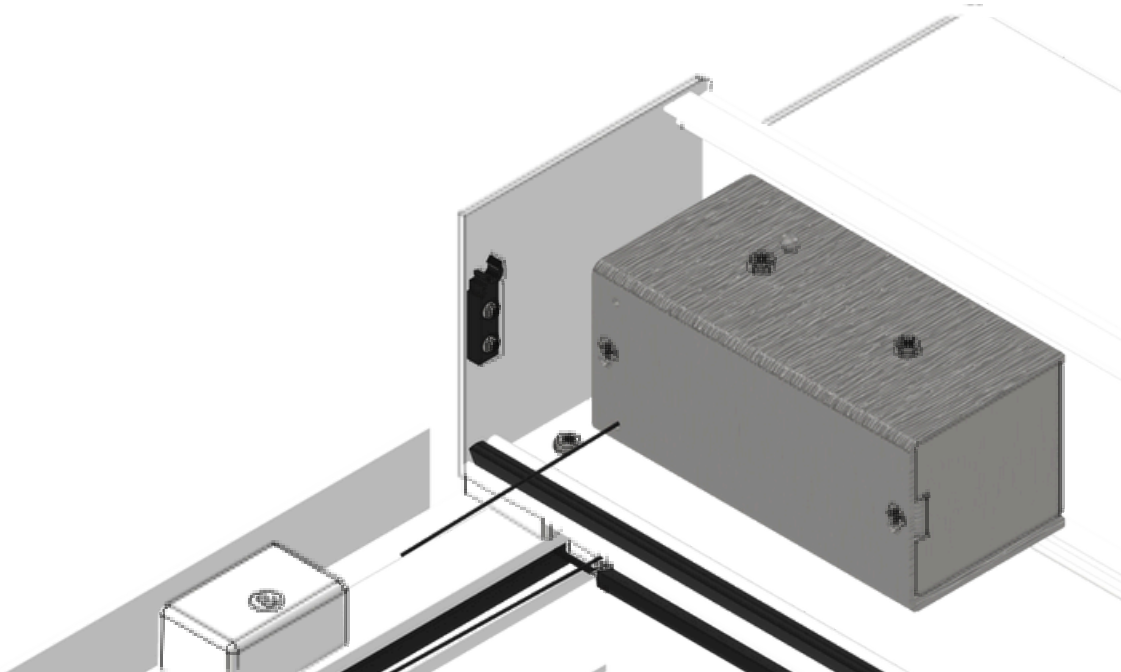
Use the screws provided to fix the tension cassette through the spacer plate and into the nuts fitted in the side channels on both sides of the blind. Repeat the process for both tension cassettes.



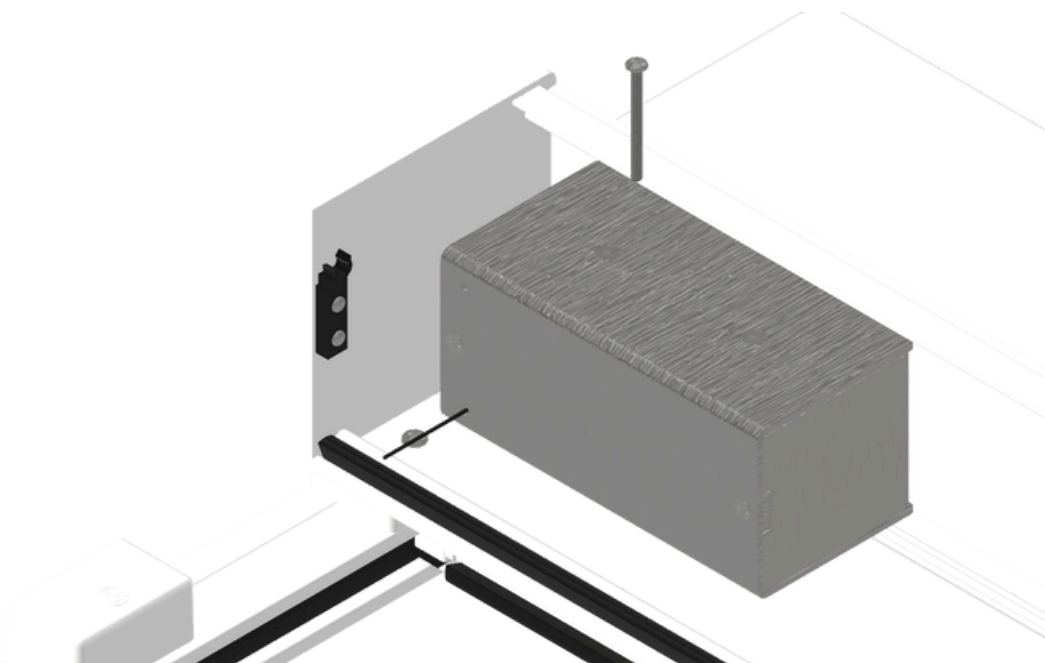
## STEP 5

### Preparing the tension cords.

Use a screwdriver or similar tool inserted through the ring on the end of the cord, and pull the cord approximately 100mm past the hembar of the roller blind.



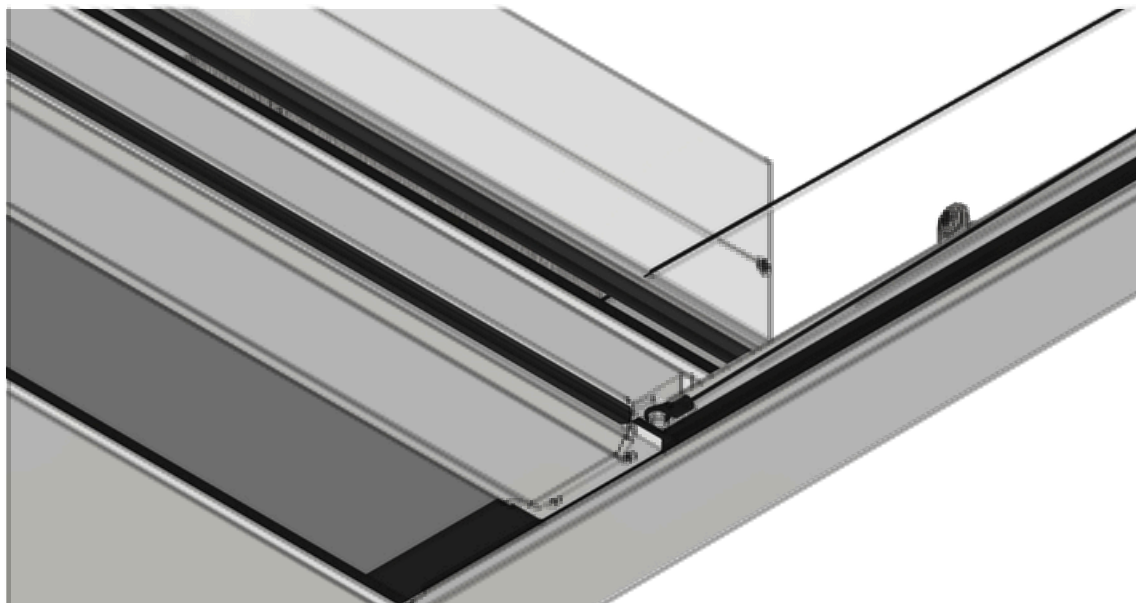
Use a suitable locking pin to lock the tension by inserting it into the locking point (see page 4). Gently release the tension onto the locking pin.



## STEP 6

### Attaching the tension cords (Blind A).

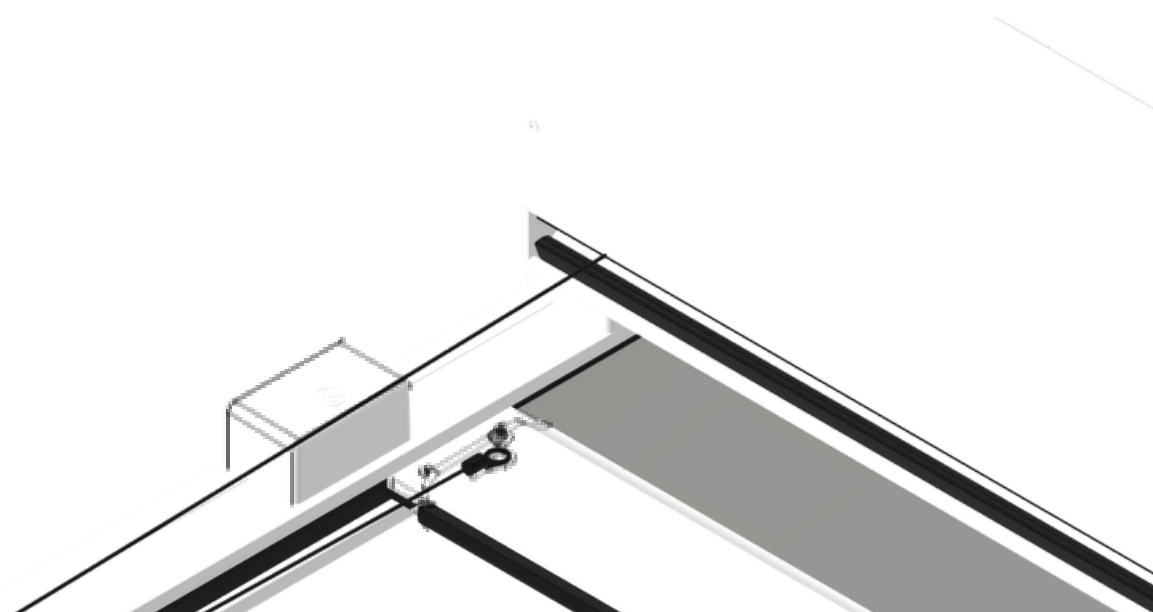
Hook the ring on the end of the cord over the pin on the hembar endcap. DO NOT let the ring fall off the pin while the cord is slack.



## STEP 7

### Attaching the tension cords (Blind B).

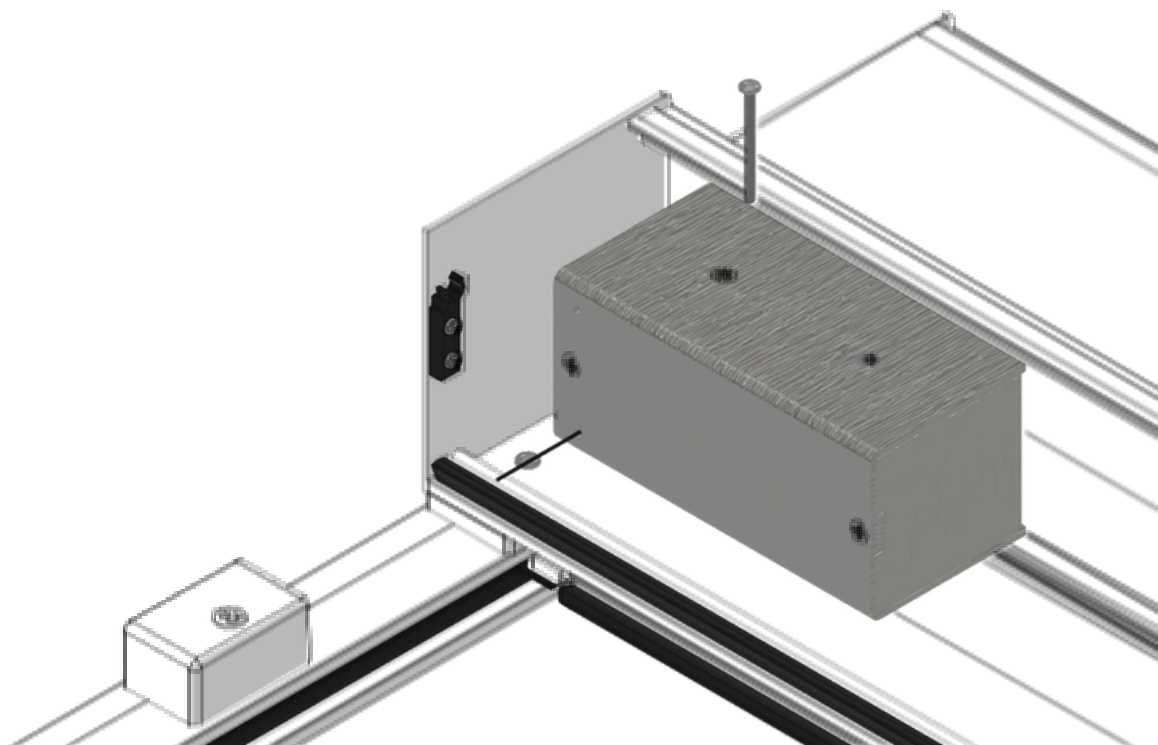
Use the screws provided to fix the ring on the end of the cord through the nut fitted in the hembar.



## STEP 8

### Applying tension to the blind.

Take up the slack cord and remove the locking pin from the tension unit, and gently let the slack cord back into the unit.



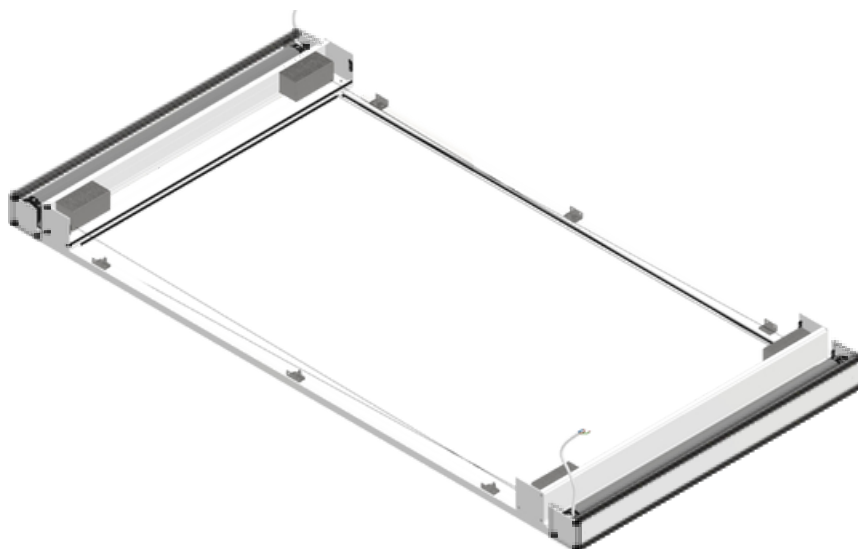
Under NO circumstances must the cord be allowed to return to the tension unit unchecked. This WILL damage the tension unit, and may also result in injury or damage to property.

## STEP 9 & 10

### Testing and commissioning the blind.

Lift the blind off the floor to prevent fabric damage. You can use the corner supports of the packaging the blind came in for this. Read steps 9 and 10 before proceeding with testing.

Connect the motor to a temporary power source and fully close and open it to check that it's been correctly assembled. If it doesn't run smoothly, or doesn't stay in the side channels, refer to our trouble shooting guide here: <https://umbrashading.co.uk/troubleshooting-videos>



## STEP 10

### Motor commissioning.

#### Power your blind on

The upper and the lower limits of the blind have already been set up in the factory so all you need to now do is power up the blind and PRESS AND HOLD UP AND DOWN buttons together until the blind jogs. The handset is now paired and you can use your blind. PLEASE NOTE! once you attach your blind to power it is in learning mode for 60 seconds. If you do not pair your blind to the remote in the 60 seconds you will not be able to pair the remote. You will then have to power the blind off for 1 minute and then power it on and pair the remote in the allocated 60 seconds.

ONLY power up and pair one blind at a time. Power up and pair blind 1 then power blind 1 off (at the switched fused spur). Then power blind 2 on (making sure to select channel 2 on the remote and pair 2nd blind to channel 2 on the multichannel remote. Once the second blind has been paired to the second channel on the remote you are safe to power blind 1 back on. Failing to do this may result in the blinds getting confused.

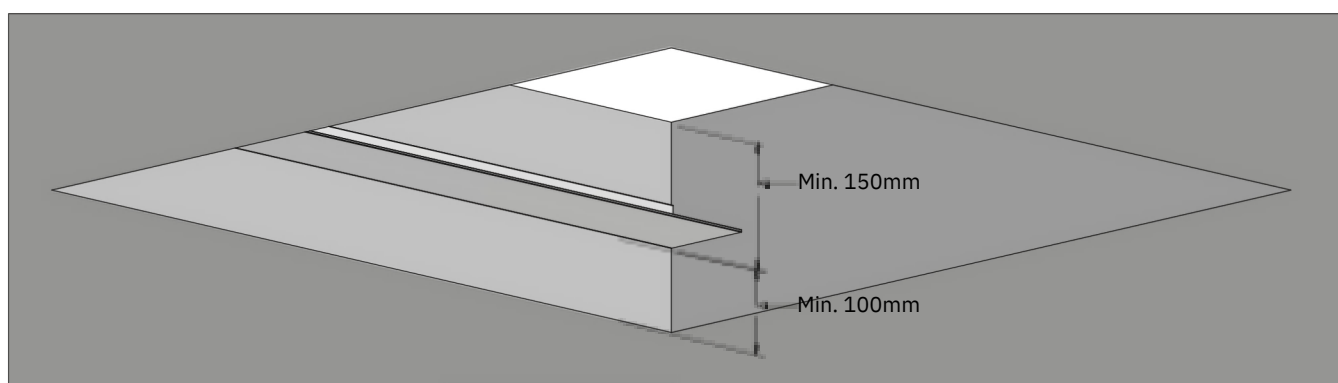
Mains powered motors must be connected to an RCD protected circuit.



## STEP 11

### Preparing the recess.

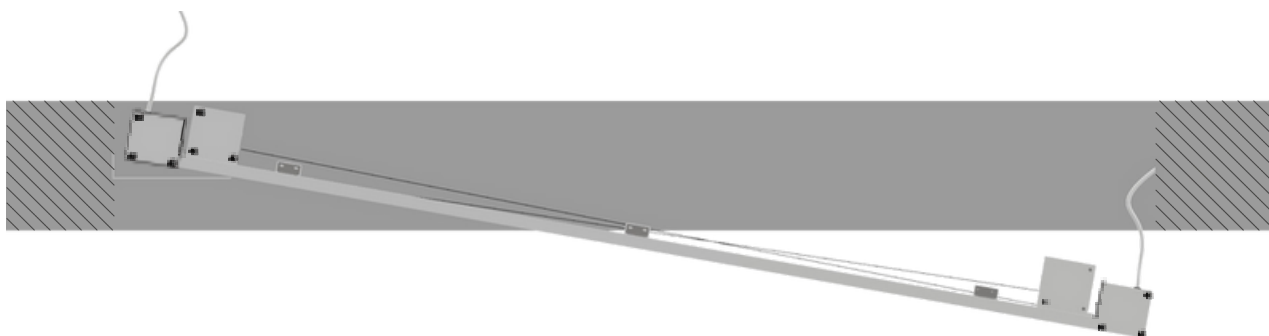
Mark the desired fixing height for your shelving. Refer to page 5 for more detailed fixing recommendations. Mark your fixing holes and pre-drill if necessary, then fix the shelf for the fabric end of the blind.



## STEP 12

### Installing the blind.

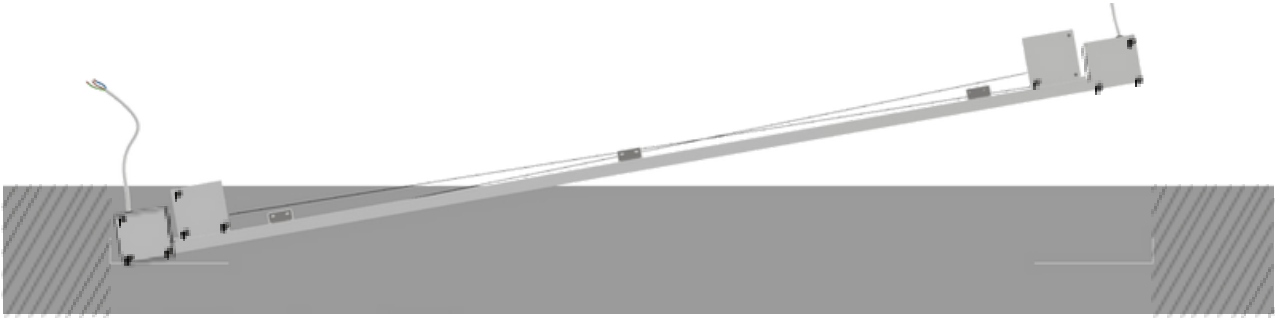
Disconnect your blind from the temporary power supply, and lift into place, resting the fabric end of the blind on its shelf.



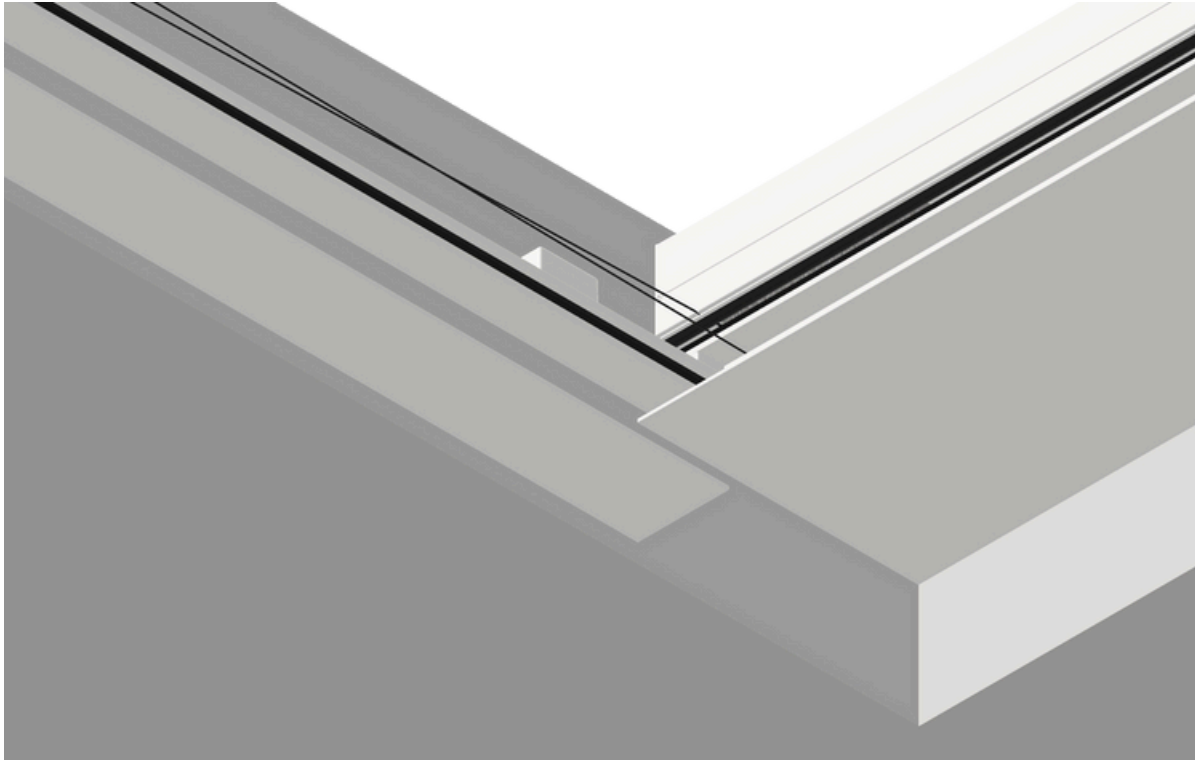
## STEP 13

### Installing the blind.

Fix the shelf for the tension end of the blind, then let the blind rest on the shelf.



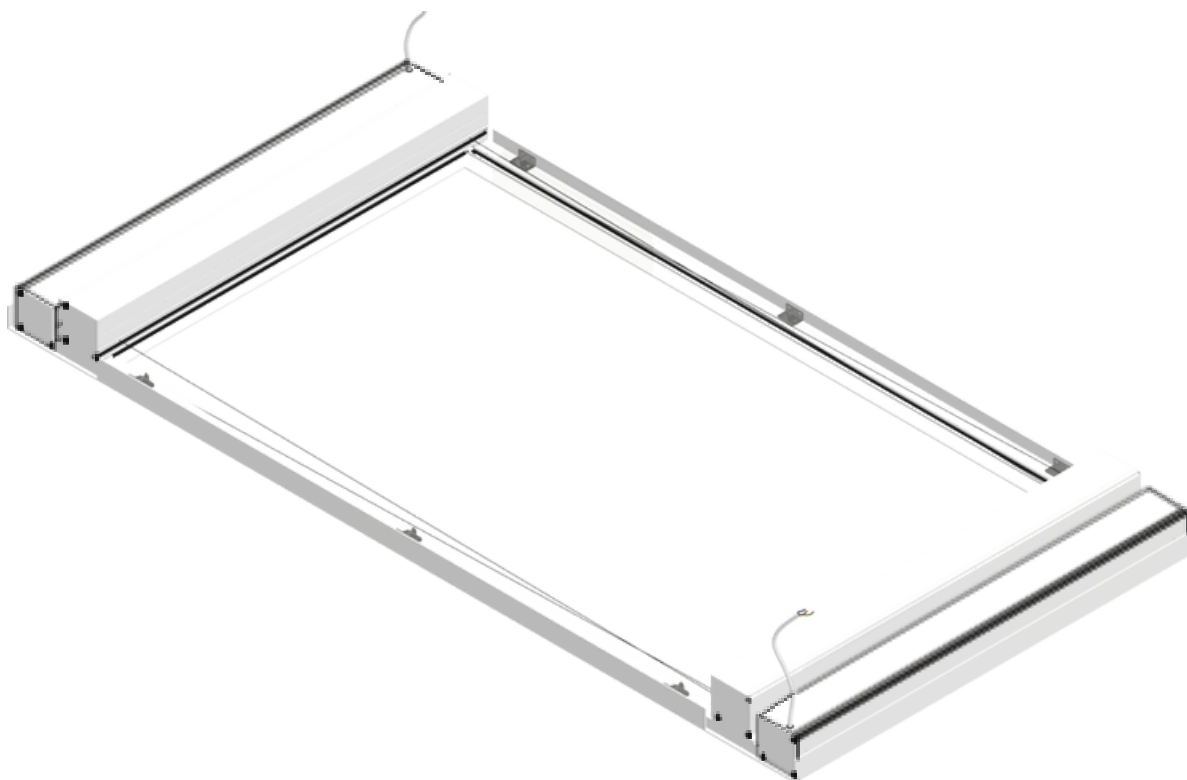
Fix the side angles into place. You can use the corner supports of the packaging the blind came in to prop the blind out of the way.



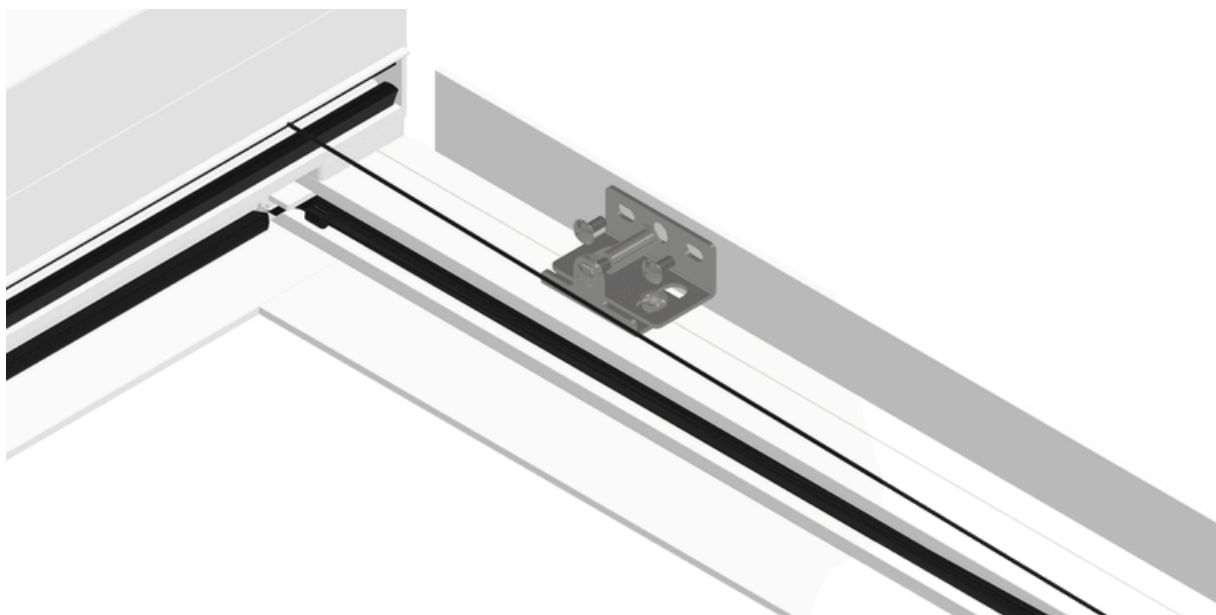
## STEP 14

### Fixing the blind.

Check the blind is square by measuring the diagonals. They should be equal. When fixing the brackets in place, measure at each fixing point to ensure the channels are the same distance apart across the whole length.



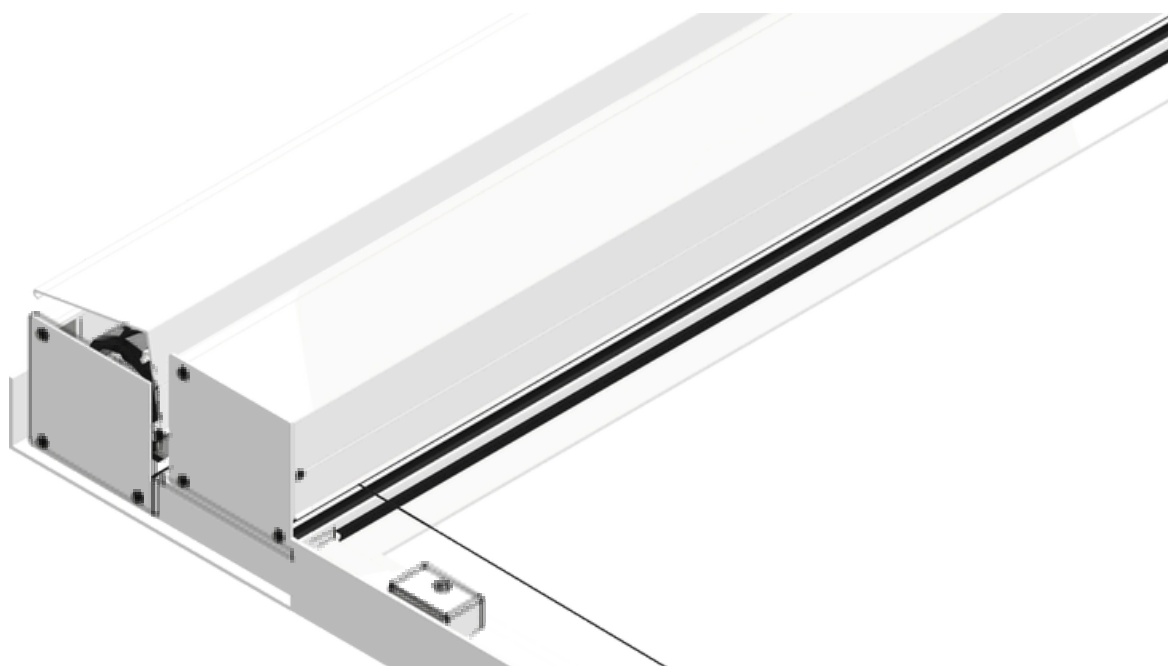
Fix the brackets into place using the screws provided.



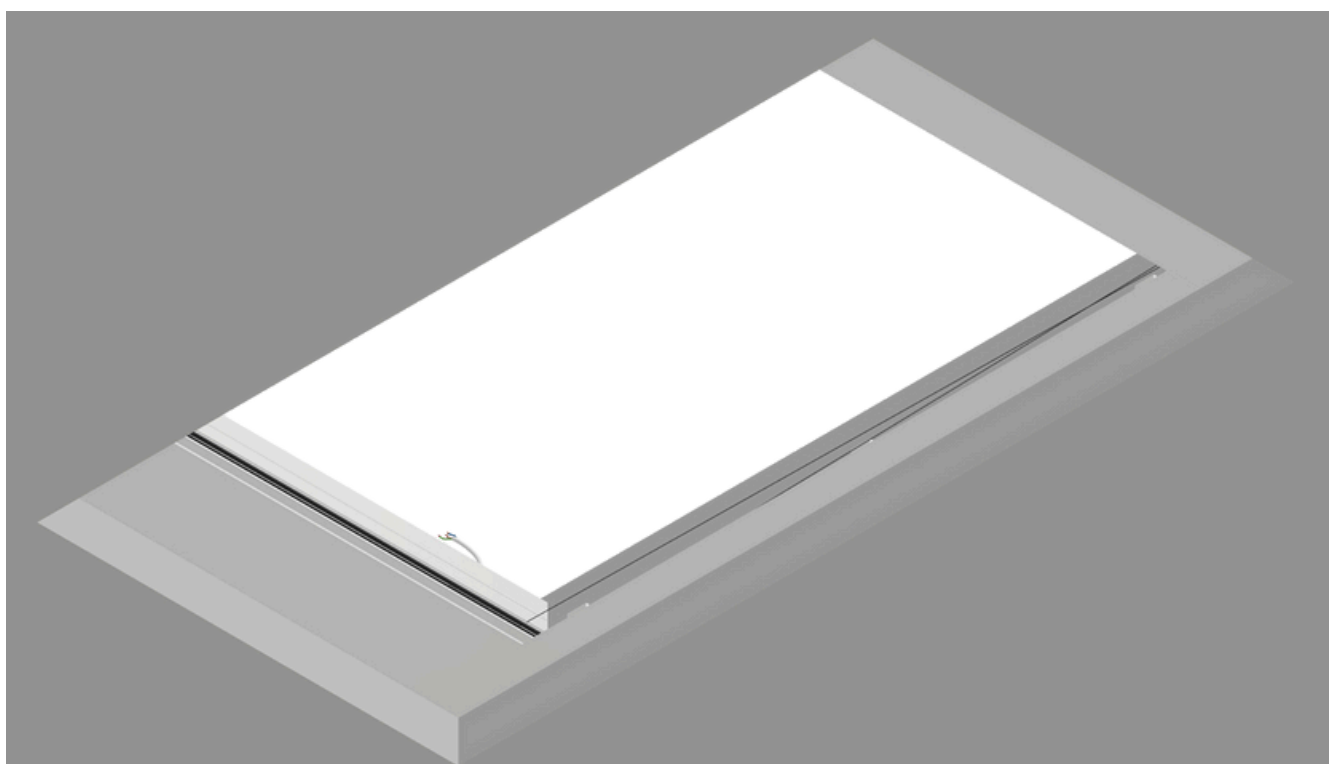
## STEP 15

### Connecting the blind to power.

Re-fit the cassette front covers, ensuring you thread the cable through the cable exit grommet on the fabric end. If a cable exit was not specified on the order, you will need to drill your own with a 13mm drill bit, and fit the supplied grommet.



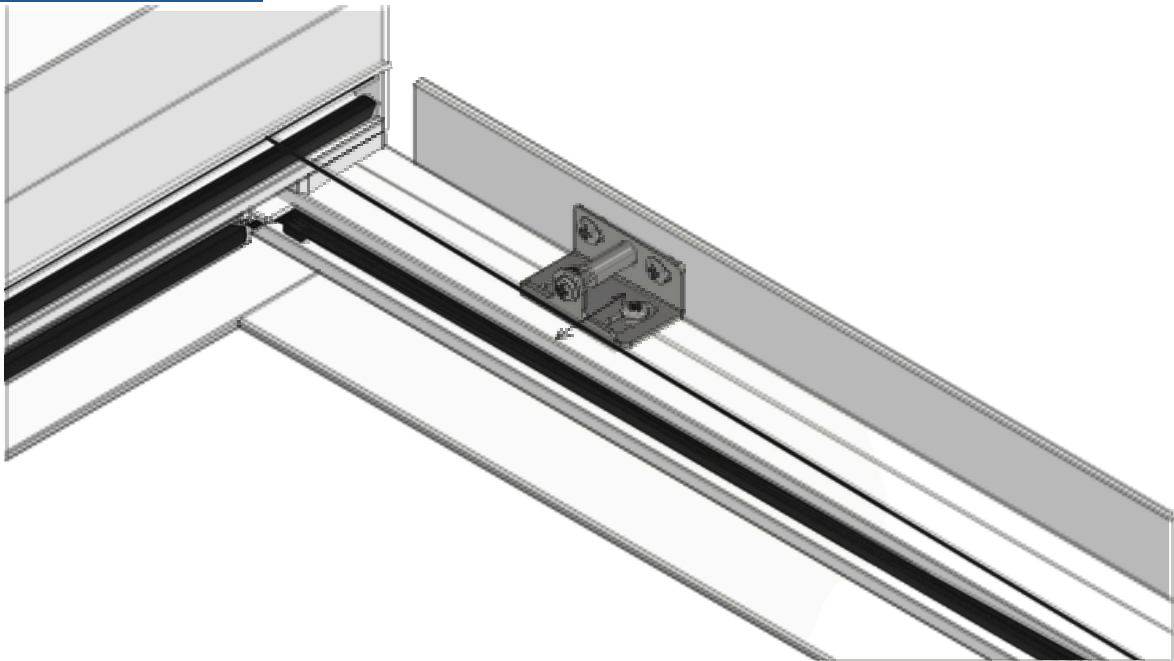
Connect the blind to your permanent power supply, and fully close and open it to test it.



## STEP 16

### Adjusting the blind (if necessary).

If the blind isn't running smoothly, or doesn't fully close, it may be necessary to slacken the screws on the adjustable brackets to improve the running of the blind. Alternatively, you may be able to tighten the screws and keep the fabric flatter. If your blind still isn't running correctly, visit our trouble shooting page here: <https://umbrashading.co.uk/troubleshooting-videos>



Fit the bracket covers back onto the channel brackets.

