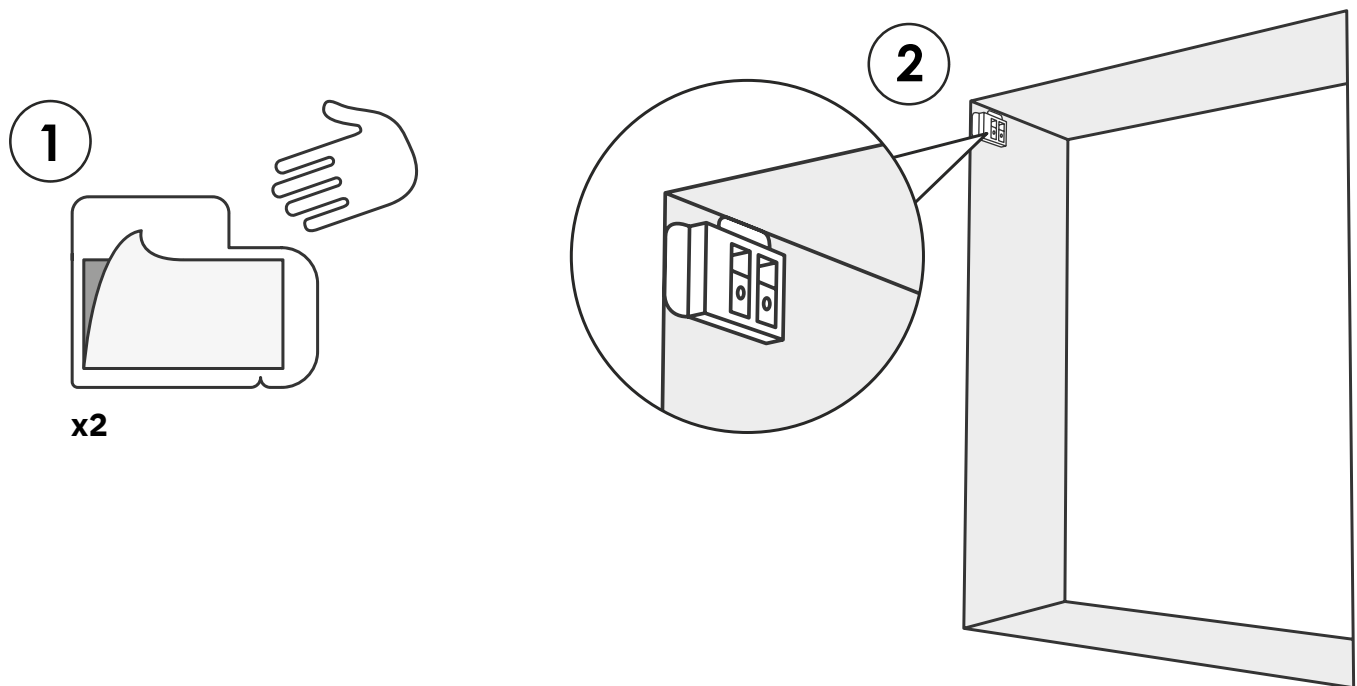
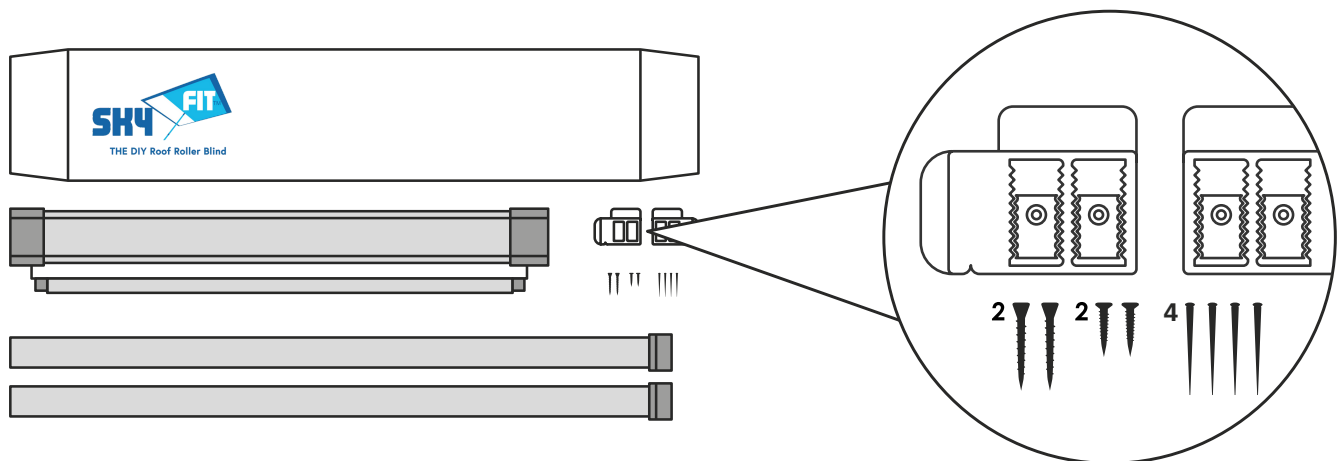
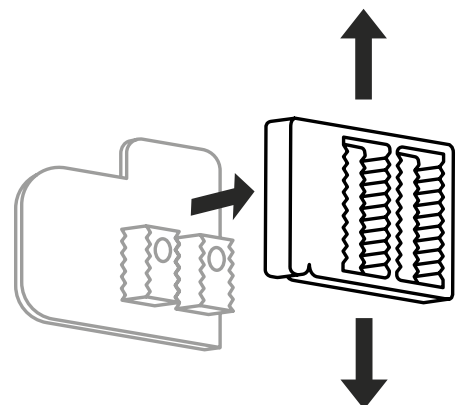
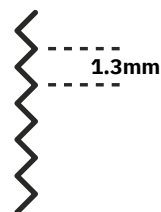
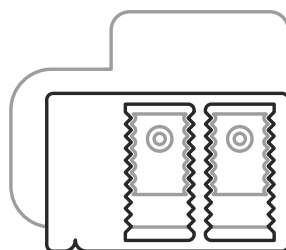
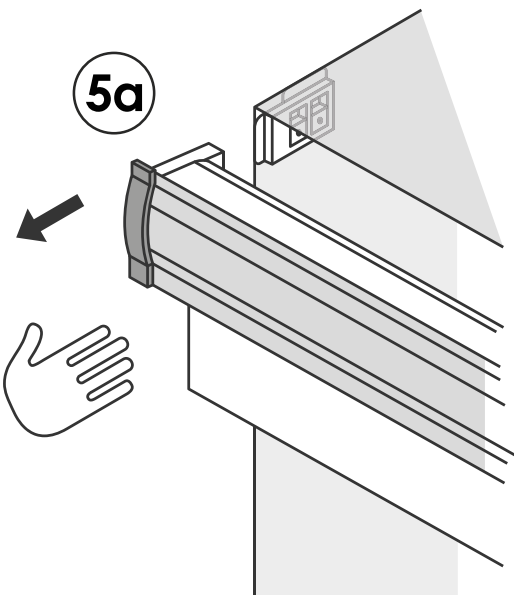
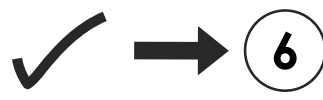
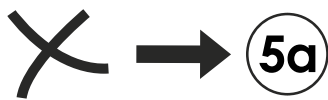
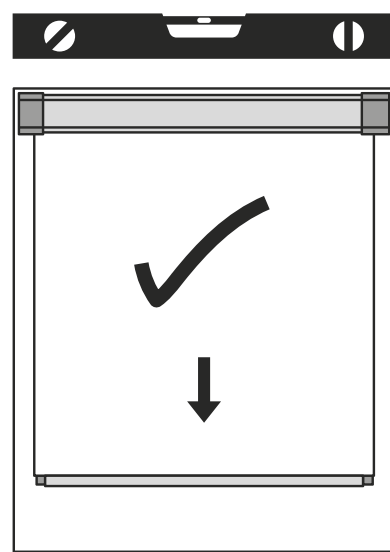
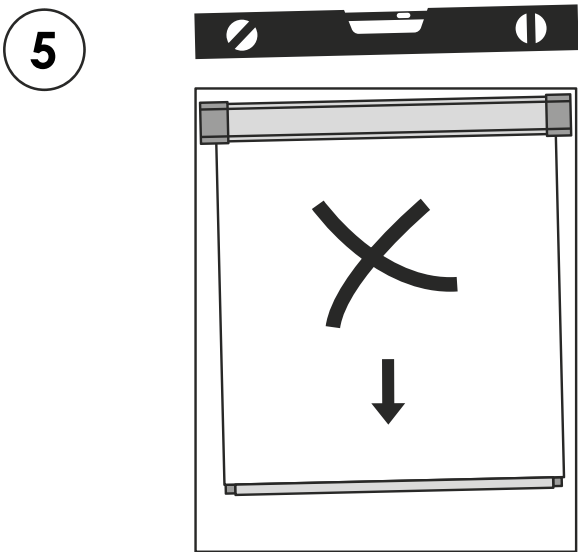
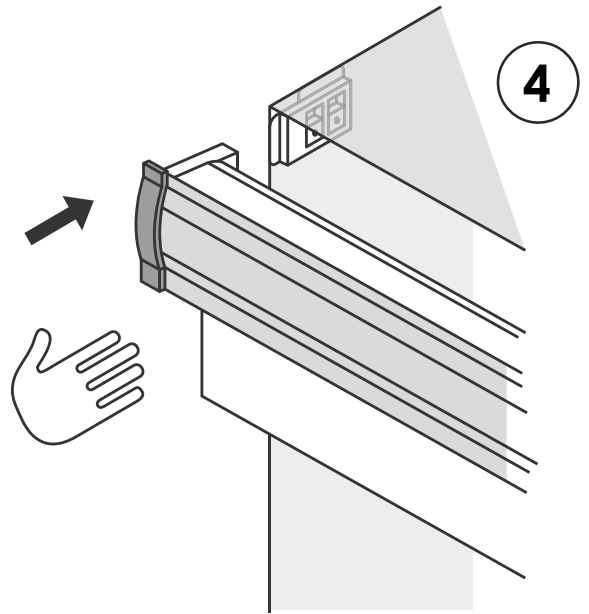
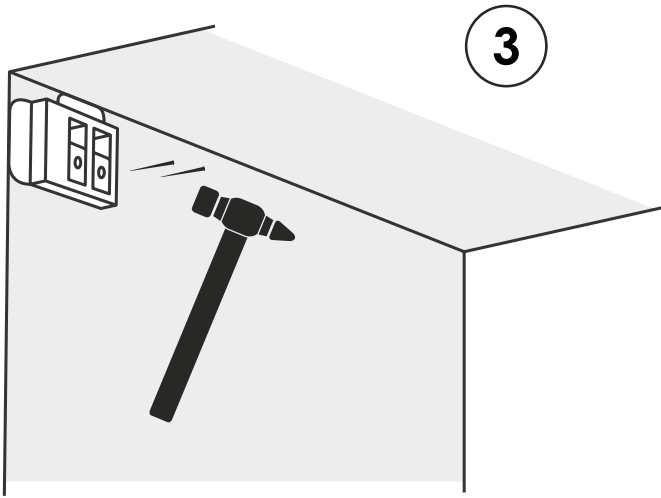
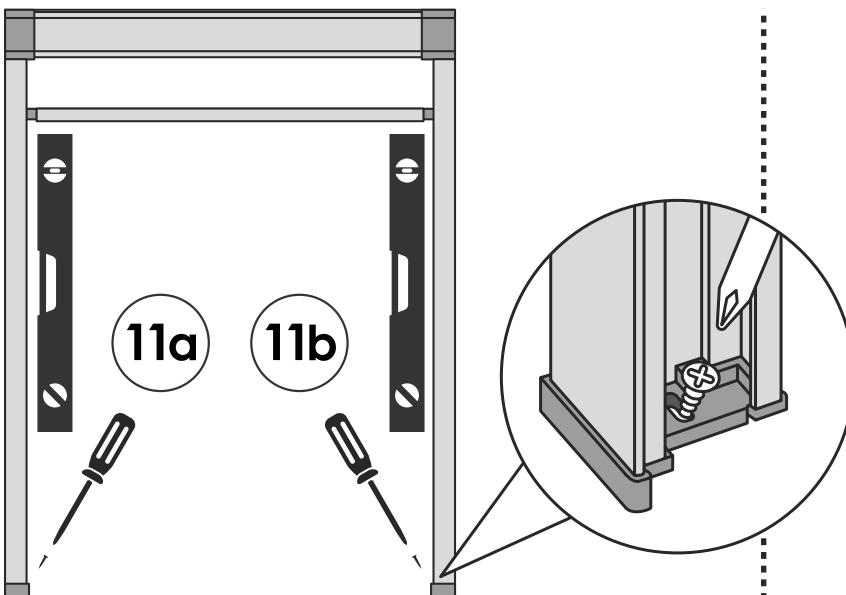
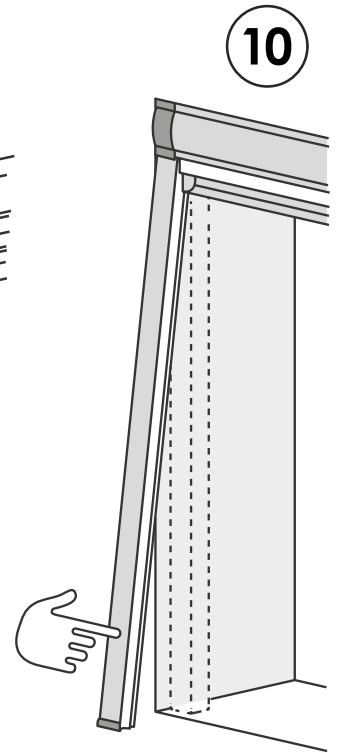
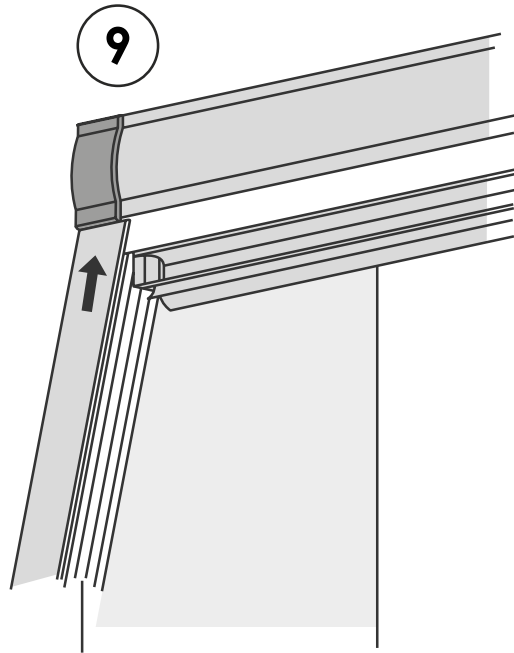
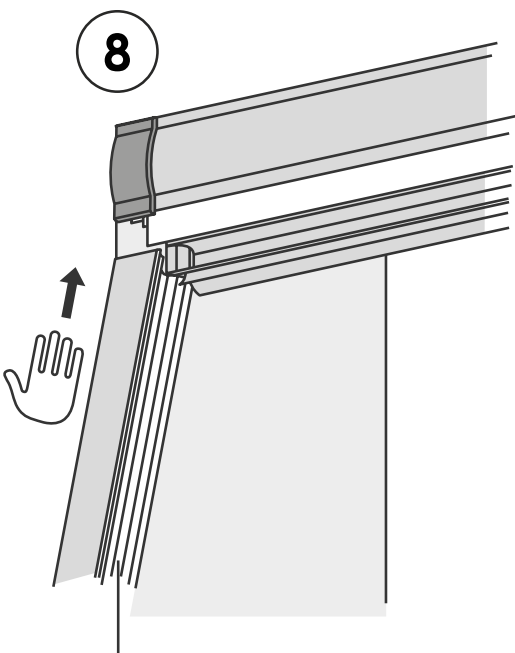
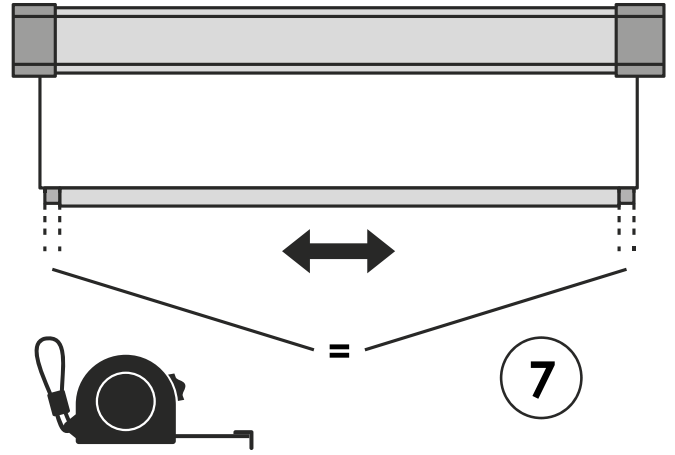
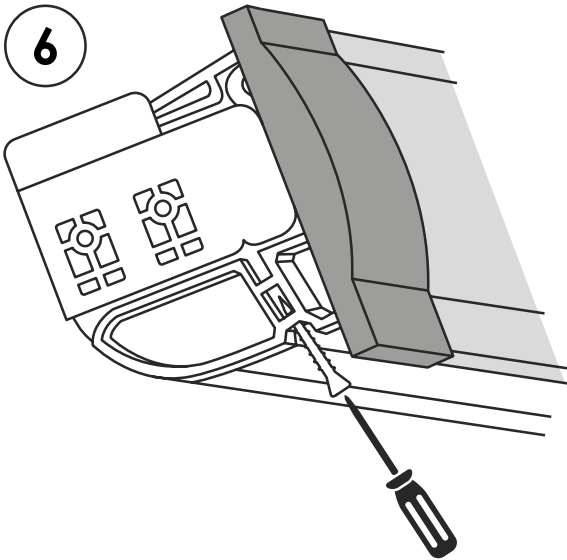


SkyFIT™ Manual Blind Fitting Instructions

[Link to fitting video](#)







Top Tip:
You may want to put some extra screws in equal spaces down the side rails of the blind.

(DO NOT OVER TIGHTEN SCREWS)

Please note:
The blind is a goal post configuration which takes on the shape of the recess. The blind works best when the side rails and head rail are completely square.

To achieve this you may need to use suitable packers to pack out the recess and allow the blind to run straight.

These screws are not provided.

Operation: By hand or pole (make sure you operate the blind in the centre)

