

Bloc Solar Skylight Blind

Compatible with all major brands. Harnessing the energy from the sun via a discreet solar panel. The solar panel is designed to charge the battery during daylight hours throughout the lifetime of the blinds. Even in the event of no sunshine, the battery will last for 300 operations.

Installation of the blind couldn't be simpler. Our 4 screw system means installation is easy and mess free.

Aluminium Colour Options

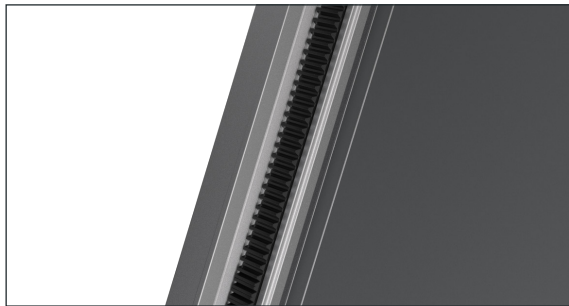


Anodised Silver
Natural Finish



Features

Bloc Blinds incorporate a number of specially developed features that enhance the premium quality of our blinds;



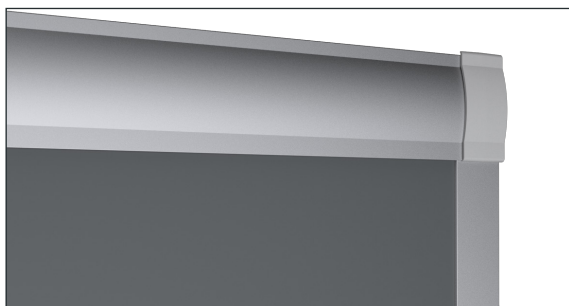
Racks

The racks in the siderail allow smooth operation of the handle.



Multi Channel Remote

The blind can be supplied with a 5-channel remote capable of operating multiple blinds per channel.



Fabric

The fabric is completely enclosed, reducing fading and significantly extending the life of the fabric.



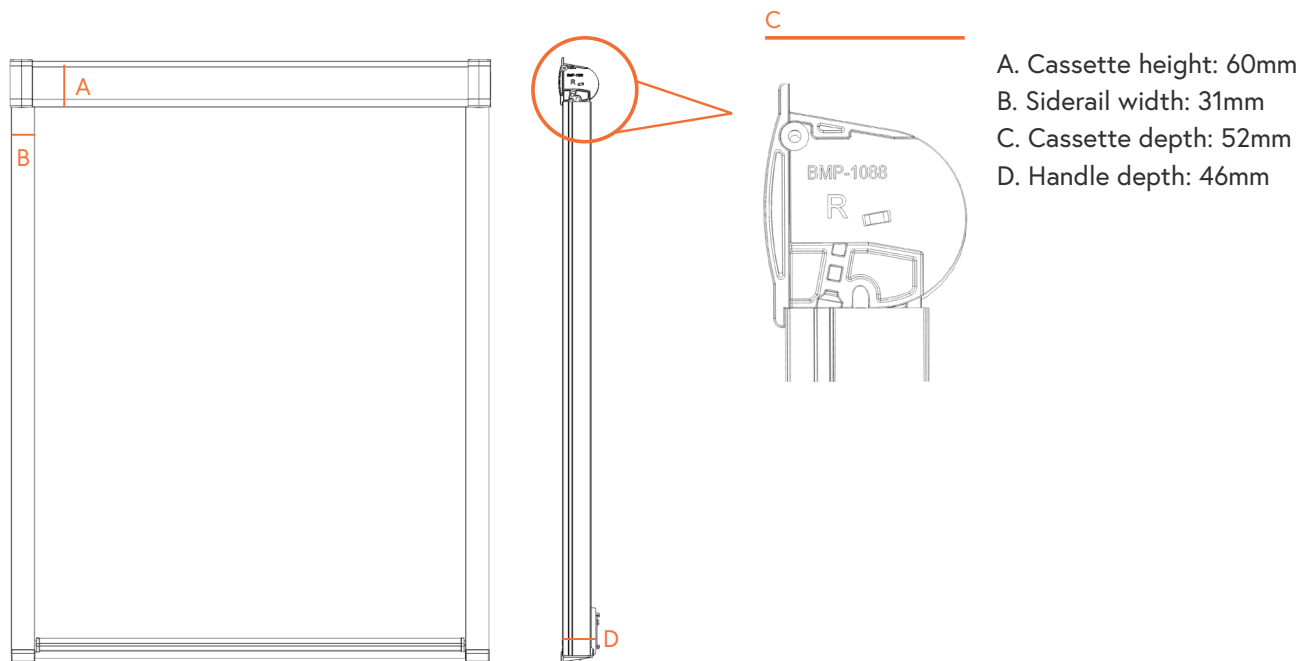
Solar Panel

The solar panel, placed on the handle for optimal sun exposure, captures and stores solar energy to power the blind.

Product Specification

Roller Tube	Aluminium
Cassette Colour	Anodised Silver
Control	Motorised (7.2v)
Fabric Position	Reverse Roll
Sizes	All manufacturing Codes
Suitable for	Velux® Roof Windows, Dakstra®, Fakro®, Roof Lite®, Roto® (exc 300/500 series)

Product Dimensions



Battery Life

The solar panel is designed to charge the battery during daylight hours throughout the lifetime of the blind, in the event of no sunlight the battery will last for 300 operations.

Operation

The blind is operated with a motorised system. The blind can be supplied with a 5-channel remote capable of operating multiple blinds per channel.

Care

To keep the blind looking it's best over time the customer must ensure the product has been installed and operated securely and correctly, the fabric can be cleaned with a synthetic or feather duster and can be wiped lightly with a damp cloth.

Maintenance

All our products are manufactured using aluminium and glass reinforced nylon components, they do not present any corrosion problems in normal working environments. If there is a failure of fabric or a component, depending on which, it can be replaced without the need for a new complete blind.

Replaceable components:

Siderails