

# Skylight Blind

Bloc Skylight blinds can enhance the performance of all forms of roof windows. Compatible with all major skylight brands, we can also work with you to engineer custom built blinds for your windows.

Installation of the blind couldn't be simpler. Our four screw systems means installation is easy and mess free.



## Aluminium Colour Options



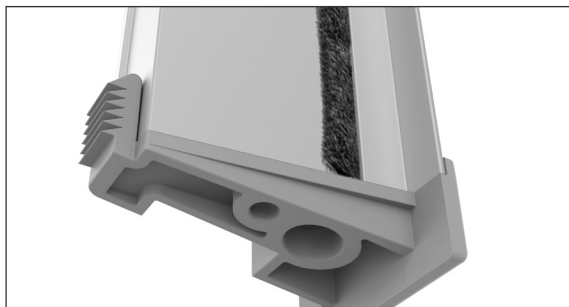
**Anodised Silver**  
Natural Finish



**White**  
Matt finish

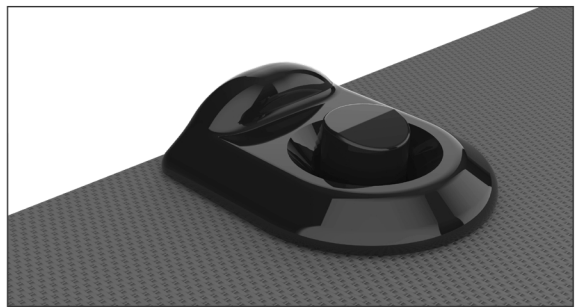
## Features

A number of specially developed features than enhance the premium quality of our blinds.



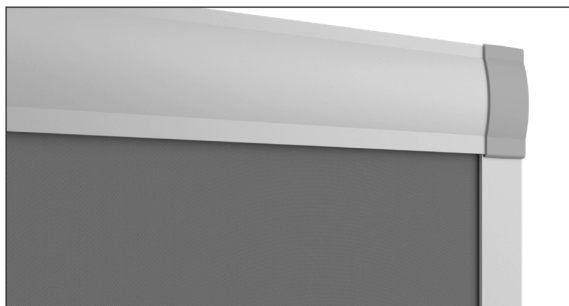
### Brush Seals

These create a barrier between the blind and the window frame, blocking out light and reducing heat loss.



### Pips

Pips are attached to the fabric to ensure the blinds stays securely within the runners at all times.



### Fabric

The fabric is completely enclosed, reducing fading and significantly extending the life of the fabric.



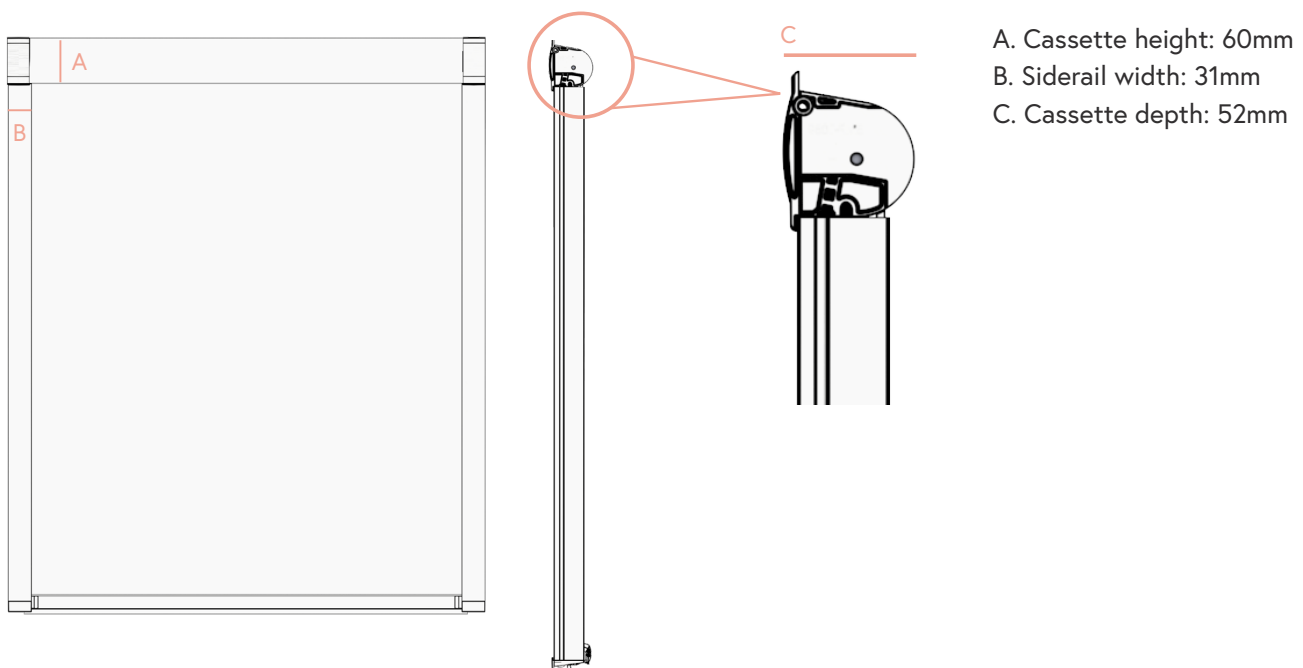
### Child Safe

Our skylight blinds are safe by design - there are no cords. The blind is pre-tensioned via a spring, so while being Child Safe this feature also makes it easier to install.

## Product Specification

Roller Tube	Aluminium
Cassette Colour	Anodised Silver/ White
Control	Spring
Fabric Position	Reverse Roll
Sizes	All manufacturing Codes
Suitable for	Velux® Roof Windows, Dakstra®, Fakro®, Okpol®, Roof Lite®, Roto®, non standard, others

## Product Dimensions



### Operation

Operation of the blind is through a spring tension system operated by tilting the handle at the bottom of the blind. The blind simply pulls down through the side channels locking whenever the handle is released. The handle is then pushed in towards the window releasing the lock which enables the spring to retract the fabric. It complies fully with all relevant child safety standards.

### Care

We are all very proud of our stunning Skylight blinds. To keep them looking their best for years to come, always ensure that your Skylight blinds have been securely fitted and use a synthetic or feather duster to clean, refrain from using soap and water.

### Maintenance

All our Skylight blind components are manufactured using aluminium and glass reinforced nylon. They do not present any corrosion problems in normal environments. The system has been designed for smooth operation, together with rigidity to prolong the window blinds working life.

### Replaceable components:

Handle ends (brakes), Siderail feet, siderails